

(19)



Europäisches Patentamt

European Patent Office

Office européen des brevets



(11)

**EP 0 580 299 B1**

(12)

**EUROPEAN PATENT SPECIFICATION**

(45) Date of publication and mention  
of the grant of the patent:  
20.08.1997 Bulletin 1997/34

(51) Int. Cl.<sup>6</sup>: **A61M 1/36**

(21) Application number: 93305067.6

(22) Date of filing: 29.06.1993

**(54) Method and apparatus for producing blood component products**

Methode und Einrichtung zur Erzeugung von Blutkomponent-Produkten

Méthode et dispositif pour produire des produits de constituants du sang

(84) Designated Contracting States:  
DE FR GB

• Dumont, Larry J.  
Arvada, CO 80004 (US)

(30) Priority: 10.07.1992 US 912973

(74) Representative: Senior, Alan Murray et al  
J.A. KEMP & CO.,  
14 South Square,  
Gray's Inn  
London WC1R 5LX (GB)

(43) Date of publication of application:  
26.01.1994 Bulletin 1994/04

(73) Proprietor: COBE LABORATORIES, INC.  
Lakewood CO 80215-4407 (US)

(56) References cited:  
WO-A-84/00112                      US-A- 4 657 529  
US-A- 4 851 126                      US-A- 4 968 295

(72) Inventors:  
• Langley, Robert W.  
Westminster, CO 80030 (US)

**EP 0 580 299 B1**

Note: Within nine months from the publication of the mention of the grant of the European patent, any person may give notice to the European Patent Office of opposition to the European patent granted. Notice of opposition shall be filed in a written reasoned statement. It shall not be deemed to have been filed until the opposition fee has been paid. (Art. 99(1) European Patent Convention).

## Description

## FIELD OF THE INVENTION

5 The present invention generally relates to blood component harvesting and, more particularly, in one application to a method and apparatus for producing platelet products, namely a collection of harvested platelets having a determined yield associated therewith.

## BACKGROUND OF THE INVENTION

10

The utilization of blood taken from donors and infused into recipients is well known for purposes of treating medical emergencies and other conditions. More recently, selected blood components have been harvested from blood for subsequent infusion into recipients requiring blood component therapy. As used herein, "harvesting" means the separation/removal of a particular type of blood component from remaining portions of the whole blood.

15

In order to harvest blood components, blood is removed from a donor by a needle assembly or other blood access device and is thereafter processed utilizing centrifugation or other appropriate separation techniques to isolate and collect the desired components. This procedure is carried out most effectively in an on-line, continuous process wherein blood is removed from a donor, processed through a disposable extracorporeal circuit to obtain the desired components, and returned to the donor. Once the harvested blood components are collected in this manner, it is often necessary to subject such components to an "off-line yield determination technique." As used herein, "off-line yield determination technique" means any laboratory analysis performed in accordance with a predetermined laboratory testing regime (i.e., utilizing a particular blood component counting technique with a specific predetermined apparatus and protocol). For instance, in the case of harvested platelets laboratory testing is required (e.g., governmental/industry regulations/standards) or otherwise desired to identify platelet yield prior to distribution. More particularly, under some circumstances associating a platelet yield (e.g., the number of platelets in a harvested collection or any other value from which such may be derived) within a particular collection of platelets may be integral in the provision of such as a platelet product.

20

25

Laboratory testing of blood components typically entails the use of expensive equipment and relatively time-consuming procedures, and therefore the use of off-line yield determination techniques is not feasible for many blood harvesting facilities. Consequently, these facilities are forced to ship their collections of harvested blood components to off-site, third-party laboratories meeting the relevant requirements. As can be appreciated, such third-party laboratory testing of harvested blood components adds significant cost and delay in the provision of blood component products.

30

35

In the latter regard, certain "on-line yield determination techniques" have been developed to assist blood component harvesting facilities in donor yield/schedule planning and donor-specific harvesting procedures. As used herein, "on-line yield determination technique" means any technique, other than off-line yield determination techniques (i.e., actual laboratory testing), to forecast the yield of harvested/collected blood components. Of particular interest, a platelet yield prediction technique has been developed which is based upon donor-specific physical data (e.g., donor blood volume, hematocrit, and platelet precount) and harvest procedure-specific information (e.g., needle information, device collection efficiency, volume of concurrent source plasma collection, whole blood and anticoagulant flow rates, anticoagulant infusion rate, and procedure duration). Relatedly, harvesting/collection monitoring techniques have been employed in which, for example, optical measurements are taken during platelet collection to determine platelet concentration from which platelet yield is determined. By way of example, each of the noted prediction and monitoring techniques are incorporated in the COBE Spectra™, a product of Cobe BCT, Incorporated, 1201 Oak Street, Lakewood, Colorado 80215.

40

45

While such prediction and monitoring techniques have proven to be useful for planning purposes, experience reflects discrepancies between yield values generated thereby and the corresponding yield values obtained by off-line yield determination techniques. Moreover, it is generally believed that there is a laboratory-to-laboratory variance in determining yields, even when employing similar off-line yield determination techniques.

50

The present invention is directed to a method and apparatus for producing blood components having a determined yield associated therewith.

According to one aspect, the present invention is a method for providing a blood component product, comprising the steps of:

55

product harvesting a predetermined type of blood component from a source of blood;  
 using a predetermined on-line yield prediction technique to obtain a first predicted yield value for the harvested blood component; and  
 packaging the harvested blood component; characterised by the further steps of  
 prior to the harvesting step, establishing a first calibration factor for the predetermined yield prediction technique using a predetermined off-line yield determination technique for at least one control sample of the predetermined

type of blood component harvested;

applying the first calibration factor to the first predicted yield value to obtain a second predicted yield value;  
 deriving a determined yield for the harvested blood component at least in part from the second predicted yield  
 value; and

5 recording the packaged blood component as having the determined yield, whereby the blood component product  
 is completed.

As it is employed herein, the term "predetermined yield prediction technique" means any technique, not involving meas-  
 urements conducted on the harvested blood components, that may be employed to predict blood component yield for  
 10 a given blood component harvesting operation.

When the collected blood components are packaged, the determined yield is associated therewith by recording the  
 yield in some manner (e.g. by indicating the yield directly on the packaging, or by inputting the yield into a data base  
 with a corresponding identifier which is also indicated on the packaging).

The method of the above-identified aspect of the present invention may further comprise the step of monitoring the  
 15 harvested blood components during at least a portion of the harvesting step to obtain a first monitored yield value,  
 namely by utilizing another on-line yield determination technique in the nature of a predetermined yield monitoring tech-  
 nique. As employed herein, the term "predetermined yield monitoring technique" means any technique, involving meas-  
 urements conducted in conjunction with a harvesting operation on harvested blood components, that may be employed  
 to monitor blood component yield for the blood component harvesting operation. A second calibration factor may then  
 20 be established for the predetermined yield monitoring technique in relation to the predetermined off-line yield determi-  
 nation technique. Once this second calibration factor is established, it may be applied to the first monitored yield value  
 to obtain a second monitored yield value. In order to enhance accuracy, the determined yield may then be derived from  
 both the second predicted yield value and the second monitored yield value.

In addition to increasing the potential for achieving an accurate determined yield by utilizing both the second pre-  
 25 dicted yield value and the second monitored yield value, generating both such yield values allows for an assessment of  
 the likelihood that a determined yield value will fall within an acceptable range of accuracy, thereby enhancing quality  
 control. More particularly, if in appropriately comparing the second predicted yield value and second monitored yield  
 value a determination is made that the difference therebetween is outside a certain predefined statistical parameter, the  
 collection of blood components can be sent to a laboratory for a determination of yield by, for instance, the predeter-  
 30 mined off-line yield determination technique.

The first and/or second calibration factors utilized in the method of the above-identified aspect may each be estab-  
 lished by conducting a blood component harvesting operation for at least one, and preferably for a plurality of first blood  
 sources to obtain an associated first blood component sample(s). The predetermined yield prediction technique may  
 thus be employed for each of such first blood component samples to obtain an associated first predicted yield value,  
 35 and/or the predetermined yield monitoring technique may be utilized for each of such samples to obtain an associated  
 first monitored yield value. Each of the first blood component samples may also be subjected to the predetermined off-  
 line yield determination technique to obtain corresponding off-line measured yield values for such samples.

Having obtained the foregoing yield values, an initializing first calibration factor may be obtained for each of the first  
 blood component samples by dividing the off-line measured yield value by the associated first predicted yield value for  
 40 each such sample. The mean of these initializing first calibration factors may then taken to establish the first calibration  
 factor. Similarly, an initializing second calibration factor may be obtained for each of the first blood component samples  
 by dividing the off-line measured yield value by the associated first monitored yield value. The mean of these initializing  
 second calibration factors may then be taken to establish the second calibration factor. As can be appreciated, the size  
 of the calibration group (e.g., first blood sources) will of course determine in part the statistical significance of the  
 45 respective first and second calibration factors.

In the event that the first and second calibration factors are obtained in the above-described manner, the related  
 information may be utilized by the present invention by further potential steps to ensure that such calibration factors are  
 properly maintained. For instance, at least one, and preferably a plurality of second blood sources may be subjected to  
 an appropriate separation procedure to obtain an associated second blood component sample(s). The yield for each of  
 50 these second blood component samples may be obtained by each of the predetermined yield prediction technique, the  
 predetermined yield monitoring technique, and the predetermined off-line yield determination technique. A tests first  
 calibration factor may be obtained for each of the second blood component samples by dividing the off-line measured  
 yield value by the first predicted yield value. Similarly, a test second calibration factor for each of the second blood com-  
 ponent samples may be obtained by dividing the off-line measured yield value by the first monitored yield value. The  
 55 mean may be taken of the plurality of first test calibration factors, and a mean may be taken for the plurality of test sec-  
 ond calibration factors. Moreover, a mean may be taken of the combination of the initializing first calibration factors  
 and the test first calibration factors, and similarly for the combination of the initializing second calibration factors  
 and the test second calibration factors. The mean of the test first calibration factors and/or the mean of the combination of initializ-  
 ing/test first calibration factors may be utilized to verify the suitability of the first calibration factor, and similarly the mean

of the test second calibration factors and/or the mean of the combination of initializing/test second calibration factors may be utilized to verify the suitability of the second calibration factor.

According to another aspect the present invention is apparatus for providing a blood component product, comprising:

- means for harvesting a predetermined type of blood component from a source of blood;
- first means, for providing a first set of predetermined information relating to the source of blood;
- second means, for providing a second set of predetermined information relating to the means for harvesting;
- third means using at least one on-line yield determination technique, for generating a predicted yield value based upon the first and second sets of predetermined information; and
- means for packaging the harvested blood component; characterised by further comprising
- fourth means, for providing a first calibration factor based upon the third means using a predetermined off-line yield determination technique for at least one control sample of the blood component product, the predetermined off-line yield determination technique allowing for determining an off-line measured yield value of the harvested blood component;
- fifth means, for determining the yield, the fifth means utilizing at least in part an application of the first calibration factor to the predicted yield value; and
- sixth means for associating the determined yield with the packaged harvested blood components to provide the blood component product.

The apparatus may further comprise:

- seventh means using a second on-line yield determination technique, for providing a monitored yield value of the harvested blood components, the seventh means comprising means for monitoring the harvested blood components; and
- eighth means for providing a second calibration factor based upon the seventh means using the predetermined off-line yield determination technique for at least one control sample of the blood component product, wherein the fifth means further utilizes an application of the second calibration factor to the monitored yield value to determine the yield.

The method and apparatus of the present invention have particular applicability to platelet harvesting operations. In particular, it is believed that platelet products produced in accordance with the present invention largely reduce the need for subjecting harvested platelet products to subsequent laboratory testing before distribution.

#### BRIEF DESCRIPTION OF THE DRAWINGS

- Fig. 1 is a schematic representation of one embodiment of a blood component separation assembly which utilizes a dual needle configuration;
- Fig. 2 is a schematic representation of one embodiment of a blood component separation assembly which utilizes a single needle configuration;
- Fig. 3 is a schematic representation of one embodiment of a system for obtaining calibration factors for each of the predetermined yield prediction technique and predetermined yield monitoring technique;
- Fig. 4 is a schematic representation of one embodiment of a system in which blood component products are obtained in accordance with the present invention;
- Fig. 5 is a schematic representation of one embodiment of a system for initializing the predetermined yield prediction technique, generating yield calibration factors for each of the predetermined yield prediction and predetermined yield monitoring techniques, and periodically evaluating such yield calibration factors;
- Fig. 6 is a schematic representation of one embodiment of the predetermined yield prediction technique in operation; and
- Fig. 7 is a schematic representation of a system for periodically monitoring operation of the system to verify the suitability of the yield calibration factors.

#### DETAILED DESCRIPTION

The present invention will be described with reference to the accompanying drawings which assist in illustrating the pertinent features thereof. In this regard, the present invention is generally a method and apparatus for producing blood component products. These blood component products have a known and associated blood component yield, determined by a desired manner pursuant to the present invention in at least one on-line yield determination technique, for purposes of providing desired information and/or determining compliance with governmental/industry regula-

tions/standards. Although the principles of the present invention may be applicable to a variety of applications, in one embodiment the desired blood components are platelets which are harvested from whole blood provided by a donor.

Generally, the present invention combines two primary aspects. One is the actual harvesting of a predetermined type of blood component from a source of whole blood. The other is the determination of the yield of the harvested blood components in a particularly desirable manner, namely using at least one on-line yield determination technique, and the subsequent association of the determined yield with the harvested blood components to provide the blood component product. As will be discussed in more detail below, this yield determination can be provided without submission of the harvested blood components to a laboratory for yield determination utilizing an off-line yield determination technique as previously standard procedure.

As noted above, one application of the present invention is the harvesting of platelets from whole blood provided by a donor. Consequently, for exemplary purposes the principles of the present invention will be described with regard to this specific application. However, those skilled in the art will appreciate that such principles may be extended to a variety of other applications for removal of blood components therefrom, all of which are within the scope of the present invention to the extent permitted by the prior art.

The initial aspect of the present invention utilizes the principles of centrifugation or other appropriate techniques to separate and harvest the predetermined type of blood component from the source of whole blood. In one embodiment, the harvesting of the desired platelets may be performed in an on-line procedure as illustrated by the blood component separation assembly 10 of Fig. 1. This particular configuration is commonly referred to as a dual needle configuration since there are two fluid interconnections between a given donor 14 (e.g., blood supply) and a centrifuge 18 (e.g., blood component separation apparatus) which is utilized to separate and harvest the platelets from the donor's 14 blood. In this regard, the donor 14 is fluidly connected to the centrifuge 18 via a centrifuge inlet line 22 and appropriate needle assembly (not shown). Whole blood from the donor 14 is thus continuously provided to the centrifuge 18 through the centrifuge inlet line 22 for separation of the platelets therefrom, utilizing a peristaltic pump 26 to maintain this flow if desired/required. Prior to the donor's 14 blood entry into the centrifuge 18, anticoagulant from an anticoagulant ("AC") container 30 may be provided to the whole blood, again utilizing a peristaltic pump 26 to maintain this particular flow if desired/required.

The centrifuge 18 separates the whole blood provided on-line by the donor 14 into three primary constituents, namely platelets, red blood cells ("RBC"), and plasma. The platelets collected from the centrifuge 18 are directed through a platelet collect line(s) 34 to one or more platelet collect bags 38 via a peristaltic pump 26. The plasma and RBCs are provided back to the donor 14 through a plasma line 42 and RBC line 46, respectively, both of which are interconnected with a second needle assembly (not shown) on the donor 14 via a donor return line 50. Alternatively, it may be desirable to collect the separated plasma. In this regard, a plasma collect bag 54 may be provided and interconnected with the plasma line 42 (interconnection shown in phantom).

Notwithstanding the advantages associated with the continuous, on-line, dual needle harvesting capabilities of the blood component separation assembly 10 of Fig. 1, those skilled in the art will appreciate that the source of blood may be provided to the centrifuge 18 from an appropriate blood container (not shown) interconnected with the centrifuge 18, versus receiving such directly from the donor 14. Moreover, the blood of course may be provided from alternative sources such as animals. Furthermore, as illustrated in Fig. 2 this platelet harvesting procedure may be performed utilizing a single needle configuration.

The blood component separation assembly 58 of Fig. 2 is similar to that of the dual needle configuration of Fig. 1 except that a single needle assembly (not shown) incorporates the donor 14 within the blood component separation assembly 58. Consequently, similar components are similarly identified. With regard to the single needle configuration of Fig. 2, the whole blood of the donor 14 initially flows through a donor access line 62 and into a centrifuge inlet line 66 which is fluidly connected with the centrifuge 18 such that the platelets are harvested in the above-described manner. The plasma and RBC from the centrifuge 18 flow through the plasma and RBC lines 42, 46, respectively, both of which are fluidly interconnected with a return flow controller 74. As above, however, the plasma may alternatively be directed to a plasma collect bag 54. In the event that plasma is not collected, the RBC and plasma are provided back to the donor 14 through the return flow controller 74 via a donor return line 70 which is interconnected with the donor access line 62. As can be appreciated, since only a single line is directly connected to the donor 14, namely the donor access line 62, blood is either being removed from or provided to the donor 14 such that the procedure is effectively two-step versus continuous.

One embodiment of a centrifuge 18 is the subject of U.S. Patent No. 4,094,461 to Kellog et al., entitled "CENTRIFUGE COLLECTING CHAMBER", issued June 13, 1978. This centrifuge 18 is also commercially available from the assignee of the present application as such is incorporated in the COBE Spectra™. Generally, this type of centrifuge includes a disposable assembly which is positionable and retained within a centrifuge bowl. The disposable assembly includes an annular separation channel and a collection chamber which is positioned between the inlet and outlet to the channel. Blood is provided to the inlet of the annular separation chamber during rotation of the centrifuge bowl and is thus separated into the various fractions by centrifugal force. Such fractions include RBC, platelets, and plasma in order of decreasing density.

The separated platelet-poor plasma and concentrated platelet fractions flow from the separation chamber into the collecting chamber. The collecting chamber is separated from the separation chamber by a dam. The concentrated platelets collect in the collecting chamber such that this fraction may be removed and collected in a bag. The plasma and RBC are also removed from the separation chamber and provided back to the donor 14 (Figs. 1-2) and/or collected as required/desired.

Notwithstanding of the description of the particular centrifuge associated with U.S. Patent No. 4,094,461, those skilled in the art will appreciate that a variety of other configurations of centrifuges may be utilized to harvest platelets in the manner provided by the blood component separation assemblies 10, 58. Moreover, those skilled in the art will also appreciate that alternative apparatus/methods may be used to harvest blood components. Furthermore, those skilled in the art will appreciate that other configurations of blood component separation assemblies may be similarly utilized.

Once the platelets are collected by centrifugation in the illustrated procedures of Fig. 1 or 2, the yield of such platelets must typically be associated therewith for provision of the defined platelet product, thereby combining the harvesting and yield determination aspects to provide the present invention. As noted above, the present invention allows for this yield determination without requiring submission of such harvested blood components to a laboratory for the performance of an off-line yield determination technique thereon as standard procedure.

Generally, the yield determination aspect to provide the combination required by the present invention is provided in one embodiment by a predetermined yield prediction technique and a predetermined yield monitoring technique. The yields provided by these techniques are each adjusted by a calibration factor specific to each of such techniques in relation to a predetermined off-line yield determination technique which would be otherwise utilized as a matter of course to analyze the platelets to obtain an off-line measured yield value.

A predetermined yield prediction technique is utilized in the derivation of the yield to be associated with the harvested platelets to thereby provide the defined platelet product. Although a variety of predetermined yield prediction techniques may be suitable for purposes of combining with the above-described harvesting aspect to provide the present invention, in one embodiment the predetermined yield prediction technique generates a predicted yield value based upon a variety of categories of information/generated data such as the blood supply (e.g., donor 14) and the particulars of the harvesting protocol (e.g., collection efficiency)

In the identified embodiment, the predetermined yield prediction technique considers parameters such as whether the platelet production procedure is single or dual needle; whether concurrent source plasma is collected; the total blood volume of the donor; donor hematocrit; donor platelet precount; anticoagulant ratio; anticoagulant infusion rate constant; procedure time; and platelet concentration of the collected platelets. Further, the predetermined yield prediction technique utilizes a calibration factor. Generally, the yield prediction calibration factor relates the predetermined yield prediction technique to a predetermined off-line yield determination technique which could be employed to obtain an off-line measured yield value.

The above-identified types of parameters are generally utilized by the predetermined yield prediction technique as follows: (1) the anticoagulant ratio, donor hematocrit, inlet flow rate, and needle number option are used to determine the collection efficiency for a given procedure; (2) the AC infusion rate constant, AC ratio, volume of platelet product collected, volume of source plasma collected, inlet flow rate, and procedure time are utilized to determine the volume of whole blood processed; and 3) donor blood volume, donor platelet precount, volume of whole blood processed, collection efficiency, and yield calibration factor are utilized to determine the predicted platelet yield.

In one embodiment, the general form of the predetermined yield prediction technique is provided by the following equation:

$$Y = 1 \times 10^8 C_{PR} V_B F_Y [1 - \exp[-E_c (f_{BP} - f_i)]] \quad \text{(Equation 1)}$$

where

- Y = platelet yield, number of platelets
- C<sub>PR</sub> = donor precount, 10<sup>3</sup> platelets/microliter
- V<sub>B</sub> = total blood volume of donor, ml
- F<sub>Y</sub> = yield calibration factor
- E<sub>c</sub> = platelet collection efficiency
- f<sub>BP</sub> = fraction of V<sub>B</sub> processed in the procedure
- f<sub>i</sub> = fraction of V<sub>B</sub> required by blood component separation device before platelet collection begins.

C<sub>PR</sub> and V<sub>B</sub> define the size of the initial platelet pool being processed, and the first-order exponential decay accounts for the depletion of the platelet pool in the course of the procedure. If the blood pool is not recirculated during the procedure, Equation 1 becomes linear.

E<sub>c</sub> is specific to each type of blood component separation device, and depending upon the type of device, whether

centrifugal, filter, or other means, can be a function of process variables like the number of needles (i.e., whether a batch or continuous process is utilized) and the rate of which whole blood is processed.

The magnitude of  $f_{BP}$  depends on the specifics of the procedural protocol such as the rate at which whole blood is drawn from the donor and the procedure time. The magnitude of  $f_1$  depends on the specifics of the device and the procedural protocol, such as type of device, size of separation volume, blood flow rate, and flow patterns within the separation volume.

The solution to Equation 1 may be complex and iterative, depending upon the interrelationships between  $E_C$ ,  $f_{BP}$  and  $f_1$ , as expressed in terms of other procedural variables such as flow rate, centrifuge speed, number of needles, etc. However, all the above variables are knowledge readily available to the manufacturer of any blood component separation device.

$F_Y$  is the yield calibration factor that has been previously discussed. Its function is to remove the average discrepancy that may exist between the yield as predicted by Equation 1 and the yield as provided by the associated predetermined off-line yield determination technique.

An on-line platelet yield monitoring technique may also be incorporated by the present invention to derive the yield to be associated with a given collection of harvested platelets so as to provide a platelet product. During the harvesting of platelets by centrifugation in the above-described manner, or by some other means, the concentration of the platelets collected from the centrifuge 18 may be determined by incorporating an on-line monitoring device. One such device is disclosed in U.S. Patent No. 4,810,090 to Boucher et al., entitled "METHOD AND APPARATUS FOR MONITORING BLOOD COMPONENTS," and issued March 7, 1989.

Generally, the on-line monitoring of platelet concentration disclosed by U.S. Patent No. 4,810,090 is referred to as a Collect Concentration Monitor ("CCM") and utilizes an optical detector system (not shown herein) in which light is directed through the flow of platelets collected from the centrifuge 18. A platelet sensor is appropriately positioned in a portion of the platelet collect line 34 between the centrifuge 18 and the platelet collect bag 38. The platelet sensor generally includes a central detector, which coincides with the axis in which the light is initially directed through the flow, and annular detectors. These independent detectors are utilized in conjunction with each other to determine the instantaneous concentration of collected platelets passing by the monitoring device. Using this estimated platelet concentration and the flow rate of the platelets being collected and passing through the platelet collect line 34, the instantaneous rate at which platelets are being collected may be determined. By integration the current platelet yield may thus be determined. At the end of the given platelet harvesting procedure, this determination will thus constitute a monitored yield value.

Although the CCM provides valuable information, in order to enhance the accuracy of this monitored yield value, a calibration factor is applied to the platelet concentration prior to the described integration. This calibration factor is associated with the CCM (i.e., a predetermined yield monitoring technique) in relation to the predetermined off-line yield determination technique (i.e., laboratory testing regime such as the platelet counting device and/or platelet counting protocol).

The foregoing discussion of the yield determination aspect for use in combination with the harvesting aspect to provide the present invention was directed to one manner in which the associated platelet yields were generally derived. As noted above, both the predicted yield value and the monitored yield values are adjusted based upon a calibration factor. Each calibration factor is based upon the associated predetermined yield prediction technique and the predetermined yield monitoring technique, respectively, in relation to a predetermined off-line yield determination technique. One embodiment of the manner in which the present invention is initially configured, including providing appropriate calibration factors for the predetermined yield prediction and yield monitoring techniques, is generally illustrated by the flow chart of Fig. 3.

Initially, in Fig. 3 the solid lines coincide with the transmission/provision of blood and/or blood components and the dashed lines coincide with the transmission/provision of information/data. Moreover, Fig. 3 illustrates the procedure which is preferably performed for a plurality of runs. Generally, the calibration factors for each such run are generated by computing a predicted yield value (e.g., using a predetermined yield prediction technique), monitored yield value (e.g., using a predetermined yield monitoring technique), and off-line measured yield value (e.g., using a predetermined off-line yield determination technique). Consequently, using the procedure of Fig. 3, a plurality of blood samples will individually undergo the procedure of Fig. 3, each such procedure producing a collection of harvested platelets (e.g., via blood component separation assembly 10 or 58).

With regard to the predetermined yield prediction technique and as illustrated in Fig. 3, appropriate donor and blood component harvesting protocol data associated with a first blood sample (e.g., a single run or procedure) are input into a microprocessor which utilizes the predetermined yield prediction technique without, however, its associated calibration factor. Consequently, a predicted yield value associated with the blood components harvested to be harvested by the centrifuge is generated by the microprocessor.

During the harvesting of the blood components from the first blood sample by the centrifuge, the predetermined yield monitoring technique, without however its associated calibration factor, provides for a determination of the blood component concentration which is therefore utilized to obtain a monitored yield value for the platelets harvested from

the first blood sample. More particularly, utilizing the flow rate of harvested blood components a microprocessor (not shown) is used to integrate the instantaneous flow rate to provide a monitored yield value. This monitored yield value is thus continually updated until completion of the procedure which thereby results in the final monitored yield value.

The harvested/collected blood components from the first blood sample are also subjected to a predetermined off-line yield determination technique to provide an off-line measured yield value. For instance, this may be accomplished by submitting the harvested/collected blood components to an appropriate laboratory for analysis of the same.

Based upon the three yield determinations for the particular blood sample, an appropriate calibration factor is provided for the predetermined yield prediction technique and the predetermined yield monitoring technique by, for instance, a statistical analyzer. More particularly the yield technique calibration factor for each run of a blood sample may be determined by dividing the associated off-line measured yield value by the predicted yield value. Similarly, the monitoring calibration factor may be determined by dividing the associated off-line measured yield value by the monitored yield value.

As can be appreciated, by utilizing an appropriate control group comprised of a plurality of runs of various blood samples to obtain the desired blood components, yield calibration factors of desired statistical significance may be determined by subjecting each such blood sample to the above procedure. This applies to initialization of the present invention to obtain system stability, as well as to a quality control feature in which the present invention may be periodically checked by further sampling (e.g., running one or more blood samples through the above-identified procedure) in accordance with the above to verify that the system continues to be stable, and such that the calibration factors continue to be of the desired statistical significance. In the event that such significance is no longer being achieved, the calibration factors may be appropriately updated and/or certain changes to the harvesting procedure may be desired/required.

Once the desired calibration factors are obtained, the associated calibration factor may be provided to the predetermined yield prediction technique (e.g., by incorporation into Equation 1 above in the noted manner) and to the predetermined yield monitoring technique (e.g., by incorporating the yield calibration factor into the CCM prior to the described integration procedure). Fig. 4 illustrates a system 78 of one embodiment of the present invention which utilizes each of such calibration factors for purposes of providing a determined yield for association with a collection of harvested blood components. Consequently, this results in the provision of a blood component product. As in the case of Fig. 3, the solid lines of Fig. 4 continue to coincide with the transmission of blood and/or blood components, while the dashed lines coincide with the transmission/provision of information/data.

As illustrated in Fig. 4, a blood component separator (e.g., assembly 10 or 58, or portions thereof) is provided for the harvesting of blood components from whole blood in the above-described manner, such as by utilizing centrifugation or other appropriate blood component separation techniques. The harvested blood components flow through/by the system component incorporating the predetermined yield monitoring technique, utilizing its associated yield calibration factor, such that a monitored yield value is generated. Moreover, appropriate donor data and blood component harvesting protocol data is entered into the microprocessor such that the predetermined yield prediction technique, utilizing its associated yield calibration factor, will generate a predicted yield value.

When the predicted and monitored yield values are obtained for the run, they are compared to determine, for instance, if there is an agreement between the two yields which is within acceptable limits of probability. In the event that an acceptable comparison is determined, a regression equation is used to estimate the determined yield by the predicted and monitored yield values. For instance, a standard regression of the predicted yield value and the monitored yield value may be performed using a moving-average data base. The chosen form of the regression equation for the estimated yield may be any linear or non-linear relationship. Nonetheless, the comparison verifies that the generated data corresponds statistically to a normal run, and that no unusual events have occurred which may invalidate the yield estimate, or a standard statistical test (e.g., a normal test or a t test) may be used to determine whether the agreement between the two yields is within acceptable limits of probability. In the event that an unacceptable comparison is determined, the harvested blood components are provided to a laboratory for the performance of an off-line yield determination technique thereon to obtain an off-line measured yield value.

Once the yield is determined for a given collection of harvested blood components, such may be appropriately packaged. Moreover, the determined yield may then be associated therewith such that the desired blood component product is provided by the present invention.

For purposes of further illustrating the various features of the present invention, particularly those relating to the predetermined yield calibration technique, predetermined yield monitoring technique, and associated calibration factors, the following Examples are provided. Generally, the Examples pertain to platelet harvesting utilizing the COBE Spectra™ which is commercially available from Cobe BCT, Incorporated, supplemented to incorporate the present invention. Notwithstanding the presentation of such Examples, those skilled in the art will appreciate that the various details presented therein do not limit the scope of the present invention.

#### Example 1:

One embodiment of an appropriate predetermined yield prediction technique is presented herein with regard to the



harvesting of platelets utilizing the blood component separation assembly 10 of Fig. 2. Initially, the predetermined yield prediction technique must be appropriately configured in conjunction with the blood component separation assembly 10 and the platelet harvesting protocol to be associated therewith. For instance, an anticoagulant infusion rate (e.g., the rate at which anticoagulant is provided to the whole blood from the AC container 30 prior to the whole blood entering the centrifuge 18) and the anticoagulant ratio must be specified. Moreover, in the event that plasma is to be collected into the plasma collect bag 54 in the procedure, the maximum amount of plasma which should be harvested considering the health of the donor 14 must also be provided. There are two alternatives for establishing this plasma volume limit.

The first alternative relating to the plasma volume limit is to provide a weight cutoff (e.g., 0-230 kg 0-500 pounds), associated with the weight of the donor 14 which is input as will be discussed below. In this regard, a plasma volume upper limit (e.g., 10-1500 ml.) may be established for a weight of a donor 14 in excess of this cutoff, and a plasma volume lower limit (e.g., 10-1500 ml.) may be established for a weight of such donor 14 which is less than this cutoff. For instance, the weight cutoff may be established as 80 kg (175 pounds), the plasma volume upper limit 600 ml. for a donor 14 weight greater than or equal to 80 kg (175 pounds), and the plasma volume lower limit 500 ml. for a donor 14 weight less than 80 kg (175 pounds).

The second alternative for a plasma volume limit is to configure the predetermined yield prediction technique such that the plasma volume limit is expressed a percentage of the total blood volume of the donor 14 which is calculated pursuant to Eq. 10 below. For instance, the plasma volume limit may be established as 1-15% of the total blood volume of the donor 14, and is preferably established as 12% of such volume.

Further information is required for configuration of the predetermined yield prediction technique. For instance, the procedure time is either input or arrived at based upon other criteria. However, the procedure time is typically 100 minutes. Moreover, a stepdown option may be utilized for the centrifuge 18 which may enhance separation of the various blood components. When this stepdown option is selected, the angular velocity of the centrifuge 18 is incrementally reduced during the platelet harvesting procedure. For instance, the stepdown option could provide for angular velocities for the centrifuge 18 of 2400, 2200, and 2000 RPM, each of which would be for a specified duration.

Based upon the foregoing, the configuration of the predetermined yield prediction technique in relation to the blood component separation assembly 10 and associated protocol in effect standardizes such for purposes of "normal" operations. However, for a particular donor 14 it may be desirable to only alter the "configuration" for the one processing run. Consequently, the present invention utilizes a procedure in which certain parameters utilized in the following equations may be adjusted on a one-time basis. Such is referred to as modified data input and the associated parameters are procedure time (e.g., 10-999 minutes), inlet flow rate for the centrifuge 18 (e.g., 0-150 ml/min. for the Fig. 1 assembly and 0-50 ml/min. for the Fig. 2 assembly), AC ratio option as discussed above, the desired platelet collect volume (e.g., 10-9999 ml.), the desired platelet collect concentration (e.g., 100-8000 x 10<sup>9</sup>/ml.), and the desired source plasma volume to be collected (e.g., 0-9999 ml.).

Having configured the predetermined yield prediction technique in the above-described manner, the following additional information is provided and is utilized in the various calculations of Equations 1-23 presented below: (1) needle option, namely whether the procedure is dual needle (Fig. 1) or single needle (Fig. 2); (2) run identification number for purposes of associating the data/output generated by the various equations with a particular donor 14 and processing run; (3) the sex of the donor 14; (4) the height of the donor 14; (5) the weight of the donor 14; (6) the total blood volume as calculated in Eq. 10 below; (7) the hematocrit of the donor 14, either based upon an initial estimation and thereafter updated based upon analysis of the donor's 14 blood sample or input directly from such an analysis; (8) the platelet pre-count, either based upon an initial estimation and thereafter updated based upon analysis of the donor's 14 blood sample or input directly from such an analysis; and (9) whether plasma collection is desired in conjunction with the platelet collection.

Based upon the above initial configuration and subsequent data input, the following output is generated by the predetermined yield prediction technique: (1) platelet yield; (2) inlet flow rate; (3) AC ratio; (4) procedure time; (5) platelet collect volume; (6) platelet collect concentration; (7) source plasma volume; (8) AC in the platelet and plasma collect bags 38, 54; (9) platelet postcount; (10) AC infusion rate; and (11) output approval. All of this information is utilized at least in part in the following equations to generate, *inter alia*, the predicted platelet yield value of the collected platelets for the case of the dual needle procedure of Fig. 1. As will be appreciated, some of such equations are utilized in the calculation of the predicted platelet yield, whereas other of such equations are used to generate additional information for output and informational purposes. The various parameters and the units associated therewith of the equations are presented after the equations in the Variables Index and the equations are grouped in an appropriate manner.

#### 55 Platelet Yield:

$$Y = 1 \times 10^6 C_{PR} V_B F_Y [1 - \exp[-E_c (f_{BP} - 0.12)]] \quad (\text{Eq. 1})$$

where:

EP 0 580 299 B1

$$f_{BP} = (Q_{IN} t_E + 50)(1-1/R)/V_B \quad (\text{Eq. 2})$$

and where:

$$Q_{IN} = RQ_{AC} = 0.001 / V_B PR \leq 150 \quad (\text{Eq. 3})$$

Alternatively, the platelet yield may be expressed as:

$$Y = 1 \times 10^6 C_{PR} V_B F_Y [1 - \exp[-E_c(0.001 / (R-1) P t_E + 50(1-1/R)/V_B - 0.12)]] \geq 0 \quad (\text{Eq. 4})$$

Platelet Collection Efficiency:

$$E_c = C_1 - C_2 \exp [9.91 (1 - 1/R) H] Q_{INA} \geq 0 \quad (\text{Eq. 5})$$

where the constant  $C_1$  is defined as follows:

$C_1 = 0.803$  - dual needle, without stepdown

$C_1 = 0.840$  - dual needle, with stepdown

where the constant  $C_2$  is defined as follows:

$C_2 = 4.08 \times 10^{-5}$  - dual needle, without stepdown  
 - dual needle, with stepdown

and where:

$$Q_{INA} = Q_{IN} (t_E/t_P) \quad (\text{Eq. 6})$$

In Eq. 6,  $t_P$  may be provided as configuration data or modified data as provided above, or alternatively may be derived from the solution of Eq. 4 for  $t_E$ .

Effective Procedure Time:

$$t_E = t_P, Q_{IN} \leq 45 \quad (\text{Eq. 7})$$

$$= t_P - 500(1/45 - 1/Q_{IN}), Q_{IN} > 45$$

Only high-flow protocol is used for  $Q_{IN} > 45$ .

AC Infusion Rate Constant:

$$I = 1000 Q_{IN} / (PRV_B) \quad (\text{Eq. 8})$$

Alternatively to the use of Eq. 8 for the derivation of the AC infusion rate constant  $I$ , such may be provided as configuration or modified input data pursuant to the above.

AC Ratio:

Initially, the AC ratio may be provided as configuration or modified input data pursuant to the above. In configuration, it is defined as follows:

$$R = 1 + 2.51/H \text{ low} \quad (\text{Eq. 9})$$

$$= 1.33(1 + 2.51/H) \text{ medium}$$

$$= 1.67(1 + 2.51/H) \text{ high}$$

Total Blood Volume:

$$V_B = 604 + 0.006012 L^3 + 14.6 W \text{ ml (male)} \quad (\text{Eq. 10})$$

$$= 183 + 0.005835 L^3 + 15.0 W \text{ ml (female)}$$

Plasma Collect Factor:

$$Q_{ACD} = 0.001 / V_B \quad (\text{Eq. 11})$$

5 where:

$$Q_{INO} = RQ_{ACD} = 0.001 / RV_B \quad (\text{Eq. 12})$$

10 where:

$$P = Q_{IN}/Q_{INO} = (\text{average } Q_{AC})/Q_{ACD} \quad (\text{Eq. 13})$$

where:

$$15 \quad P = 1 + (f_{ACP}/Q_{ACD}) [V_C/(t_P - 150/Q_{IN}) + V_{SP}/(t_P - 500/Q_{IN})] \quad (\text{Eq. 14})$$

and where:

$$20 \quad f_{ACP} = [(R-1)(1-H)]^{-1} \quad (\text{Eq. 15})$$

Platelet Collect Volume:

$$V_C = 1 \times 10^{-6} Y [C_B(1 + f_{ACP})] \quad (\text{Eq. 16})$$

25 Source Plasma Volume:

The four choices provided are as follows:

$$30 \quad \left. \begin{aligned} V_{SP} &= 0 \\ &= V_{CON} - V_C \\ &= f_{SP} V_B - V_C \\ &= \text{specified as modified input} \end{aligned} \right\} \geq 0 \quad (\text{Eq. 17})$$

35 where:

$$V_{CON} = V_{CONL}, W < W_C \\ = V_{CONH}, W \geq W_C \quad (\text{Eq. 18})$$

40 and where:

$$0.01 \leq f_{SP} \leq 0.15 \quad (\text{Eq. 19})$$

Donor Postcount:

$$45 \quad C_{PO} = C_{PR} \exp[-E_C(0.001 / (R-1) P t_E + 50(1-1/R)/V_B - 0.12)] \leq C_{PR} \quad (\text{Eq. 20})$$

A warning is given if  $C_{PO} < 100$ .

50 Collect Volumes:

$$V_{CB} = V_C (1 + f_{ACP}) \quad (\text{Eq. 21})$$

$$V_{SPB} = V_{SP} (1 + f_{ACP}) \quad (\text{Eq. 22})$$

55 where:

$$f_{ACB} = f_{ACP}/(1 + f_{ACP}) \quad (\text{Eq. 23})$$

The primary equation to be solved for purposes of the present invention is Eq. 4 which provides the predicted platelet yield for use with the harvesting aspect to provide desired platelet products pursuant to the present invention. Consequently, Eqs. 1-3 and 5-23 are ancillary to Eq. 4 although they may be used to calculate other output data and/or information required by Eq. 4. As will be noted by a more detailed review of Eq. 4, such incorporates the above-discussed yield calibration factor which is again based upon the predetermined yield prediction technique and a predetermined off-line yield determination technique.

With regard to the manner in which Eqs. 1-23 are solved, all the iteration loops are based on the technique of successive approximation, in which each iteration is a repeat of the previous one, but using updated parameter values calculated in the previous iteration. This process continues until all the convergence criteria are met. The convergence criteria are that, on successive iterations, the variable difference is  $\leq 1$  for  $V_C$ ,  $\leq 0.2$  for  $t_E$ , and  $\leq 10$  for  $C_B$ .

As noted above, the foregoing was based upon a dual needle configuration as illustrated in Fig. 1. In the event that a single needle configuration such as that illustrated in Fig. 2 is utilized, the following Eq. 7' is used in place of Eq. 7 and the constants  $C_1$  and  $C_2$  for Eq. 5 are as follows:

$C_1=0.803$

$C_2=8.54 \times 10^{-5}$

$$\begin{aligned} t_E &= t_P \cdot Q_{IN} \leq 20 \\ &= t_P \cdot 215(1/20 - 1/Q_{IN}), Q_{IN} > 20 \end{aligned} \quad (\text{Eq. 7})$$

Variables Index

Symbols for Equations:

- $C_1, C_2$  = constants in platelet collection efficiency equations
- $C_B$  = platelet concentration in collect bag,  $10^3$  platelets/microliter
- $C_{PO}$  = donor postcount,  $10^3$  platelets/microliter
- $C_{PR}$  = donor precount,  $10^3$  platelets/microliter
- $E_C$  = platelet collection efficiency
- $f_{ACB}$  = AC expressed as a fraction of plasma plus AC volume
- $f_{ACP}$  = AC expressed as a fraction of pure plasma volume
- $f_{BP}$  = fraction of  $V_B$  processed in platelet collection procedure
- $f_{SP}$  =  $V_{CON}$  expressed as a fraction of  $V_B$
- $F_Y$  = yield calibration factor
- $H$  = hematocrit of donor or patient
- $I$  = AC infusion rate constant
- $L$  = donor or patient height, inches
- $P$  = plasma collect factor
- $Q_{AC}$  = AC flow, ml/min
- $Q_{ACD}$  = AC flow infused into donor for platelet collection procedures, ml/min
- $Q_{IN}$  = inlet flow, ml/min
- $Q_{INA}$  = average inlet flow for platelet procedures, ml/min
- $Q_{INO}$  =  $RQ_{ACD}$  = inlet flow associated with  $Q_{ACD}$ , ml/min
- $R$  = AC ratio
- $t_E$  = equivalent procedure time, min
- $t_P$  = procedure time, min
- $V_B$  = total blood volume of donor or patient, ml
- $V_C$  = volume of pure plasma in platelet collect bag, ml
- $V_{CB}$  = total volume in platelet collect bag, ml
- $V_{CON}$  = volume constraint for total pure plasma collected, ml
- $V_{CONH}$  = higher value of  $V_{CON}$ , ml
- $V_{CONL}$  = lower value of  $V_{CON}$ , ml
- $V_{SP}$  = volume of pure plasma in source plasma bag, ml
- $V_{SPB}$  = total volume in source plasma bag, ml
- $W$  = donor or patient weight, lbs

W<sub>C</sub> = weight constraint associated with V<sub>CON</sub>, lb  
 Y = platelet yield, number of platelets.

Example 2:

5

One embodiment of the manner in which the calibration factors for both of the predetermined yield prediction technique of Example 1 above and predetermined yield monitoring technique of the above-identified CCM is more specifically addressed herein. Referring to Fig. 5, in order to determine that stability has been reached when processing a plurality of blood samples such that the predict and CCM yield calibration factors may be appropriately incorporated to

10

15

(a) At the initiation of a new set of process control parameters (e.g., configuration as described above), at least 20 consecutive runs are used to determine the parameter values. For each run, Y<sub>M</sub>, Y<sub>P</sub> and Y<sub>C</sub> are determined. These runs constitute the initiation of a moving-average data base. During this procedure, limit-checking of all inputs for all consecutive runs in the sample is performed. If any one of the values is outside the limits, that run is excluded from the sample. More particularly, the procedure is as follows:

20

1. If the number of runs is less than 20, cancel data entry and stability determination (N ≤ 20).
2. Verify that all yield values are within the following limits:

$$(1 < Y_M, Y_P, Y_C < 15 (x 10^{11}))$$

25

If any one of the values is outside the limits, that run is excluded from the sample. The symbols are:

30

Y<sub>M</sub> = measured yield from the predetermined off-line yield determination technique  
 Y<sub>P</sub> = predict yield value from the predetermined yield prediction technique  
 Y<sub>C</sub> = CCM yield value  
 N = number of runs in this sample

35

(b) Calculate the ratios (YCFs) X<sub>i</sub> of individual predict yield value and CCM yield value with respect to the measured yield value.

$$X_{IP} = Y_M / Y_P$$

$$X_{IC} = Y_M / Y_C$$

40

(c) Eliminate outliers (for p = 5%).

45

1. Calculate the means (X<sub>mP</sub> and X<sub>mC</sub>) and the standard deviations (S<sub>P</sub> and S<sub>C</sub>) of the N yield ratios. The means of these ratios represent the yield calibration factors for the predetermined yield prediction technique and CCM. Apply any one of the statistical outlier tests as described in the open literature, and eliminate the outliers from the sample. More particularly:

2. If either of the following occurs for a run |X<sub>IP</sub> - X<sub>mP</sub>|<sub>MAX</sub>/S<sub>P</sub> > 2.058 N<sup>0.1014</sup> (for predetermined yield prediction technique) |X<sub>IC</sub> - X<sub>mC</sub>|<sub>MAX</sub>/S<sub>C</sub> > 2.058 N<sup>0.1014</sup> (for CCM), then that run is classified as an outlier, and is excluded from the sample. The symbols are:

50

X<sub>i</sub> = YCF for an individual run  
 X<sub>m</sub> = mean value of N X<sub>i</sub>s  
 S' = standard deviation of N X<sub>i</sub>s  
 P,C = subscripts for predict and CCM, respectively

55

3. Remove the run from the sample, and decrement the number of runs by one.

$$N = N - 1$$

4. If the number of runs remaining in the sample N is less than 20, cancel the stability analysis until additional run data are available.
5. Continue the process of identifying outliers in steps 1 through 4, until all outliers have been removed.

5 (d) Divide N into subgroups of 5 runs each.  
 (e) Verify system stability which involves a comparison of the data from subgroups. System stability is not verified if any of the following (for example) occurs:

1.  $|X_{mP} - 1| > 0.35$  (a specified maximum for predict).
- 10 2.  $|X_{mC} - 1| > 0.35$  (a specified maximum for CCM).
3.  $CV_P = S_P/X_{mP} > 0.20$  (a specified maximum for predict).
4.  $CV_C = S_C/X_{mC} > 0.25$  (a specified maximum for CCM).
5.  $|\bar{X}_P - X_{mP}| > 3(S_P/N_S)^{1/2}C_2$  for any 1 sample.
6.  $|\bar{X}_C - X_{mC}| > 3(S_C/N_S)^{1/2}C_2$  for any 1 sample.
- 15 7.  $|\bar{X}_P - X_{mP}| > 2(S_P/N_S)^{1/2}C_2$  for 2 of any 3 consecutive samples.
8.  $|\bar{X}_C - X_{mC}| > 2(S_C/N_S)^{1/2}C_2$  for 2 of any 3 consecutive samples.

The symbols are:

- 20 CV = coefficient of variation
- S = average of subgroup standard deviations
- $\bar{X}$  = average of subgroup  $X_i$ s
- $N_S$  = number of runs in each subgroup sample
- 25  $C_2$  = statistical process control chart constant = 0.8407 for  $N_S = 5$

- (f) If stability is not verified, display status and the recommended corrective action. Recommended actions may include review of procedures, recalibration of instruments, and repair of the components involved.
- (g) If stability is verified, procedures may be performed upon implementation of the yield calibration factors.

30 Example 3:

One embodiment of the manner in which a comparison is made between a predicted yield value and monitored yield value, for purposes of determining suitability of the agreement of such values, is presented herein and is illustrated in Fig. 6.

Perform a calculation utilizing the following equation:

$$1.960 - |X_{mP}(Y_P) - X_{mC}(Y_C)| / (S_P^2 + S_C^2)^{1/2} < 0,$$

40 where the variables are as defined in Example 2 above. In the event that the test fails, the yield should be determined in accordance with a predetermined off-line yield determination technique.

Example 4:

45 One embodiment of a quality control program for the present invention is presented herein and as illustrated in Figs. 5 and 7. The quality control program is generally a periodic evaluation of the suitability of the yield calibration factors. The algorithm to be used for the QC evaluation is as follows.

- (a) Indicate to the operator when a QC evaluation is due to be performed.
- 50 (b) Analyze COBE Spectra™ yield data and laboratory-measured yields for five consecutive runs.
- (c) Compute the mean ( $\bar{X}$ ) and the standard deviation  $S_S$  of the sample.
- (d) Determine if the current sample is under control. It is not under control if any of the following (for example) occurs:

- 55 1.  $|X_{iP} - \bar{X}_P|_{MAX}/S_{SP} > 2.058 N_S^{0.1014}$  (outlier criteria).
2.  $|X_{iC} - \bar{X}_C|_{MAX}/S_{SC} > 2.058 N_S^{0.1014}$  (outlier criteria).
3.  $|\bar{X}_P - X_{mP}| > 3(S_P/N_S)^{1/2}C_2$
4.  $|\bar{X}_C - X_{mC}| > 3(S_C/N_S)^{1/2}C_2$
5.  $|\bar{X}_P - X_{mP}| > 2(S_P/N_S)^{1/2}C_2$  for any 2 of the last 3 samples, including the current one.

6.  $|\bar{X}_C - S_{mC}| > 2(S_C/N_S^{1/2}C_2)$  for any 2 of the last 3 samples, including the current one.
7.  $\bar{X}_P - X_{mP}$  for the last 9 samples, including the current one, are not all positive or all negative.
8.  $\bar{X}_C - X_{mC}$  for the last 9 samples, including the current one, are not all positive or all negative.

5 The symbols are:

- $X_{iP}$  = predict YCF for a run in the current sample.
- $X_{iC}$  = CCM YCF for a run in the current sample.
- $\bar{X}_P$  = mean of  $X_{iP}$
- 10  $\bar{X}_C$  = mean of  $X_{iC}$ .
- $X_{mP}$  = mean predict YCF for current moving average.
- $X_{mC}$  = mean CCM YCF for current moving average.
- $S_{SP}$  = standard deviation of  $X_{iP}$
- $S_{SC}$  = standard deviation of  $X_{iC}$ .
- 15  $S_P$  = average subgroup predict standard deviation for current moving average.
- $S_C$  = Average subgroup CCM standard deviation for current moving average.

(e) If the sample is not under control, display recommended action. Recommended actions may include review of procedures, recalibration of instruments, and repair of the components involved.

20 (f) If the sample is under control:

1. Incorporate sample into data base and into moving average.
2. Recalculate  $YCF(X_m)$ ,  $S$ , and the regression equation constants.
3. Control a time-sequenced data base for the predict algorithm and the CCM for each machine. The data base consists of a number of runs, dated, identified, numbered, and with the following minimum information for each run: (1) measured yield, (2) predict yield, and (3) CCM yield. In addition, other relevant information should be stored for each run; e.g., the outcome of statistical analyses and control tests, whether an unusual event occurred, or whether the donor is unusual and not part of the normal donor/system performance distribution.

30 The foregoing description of the present invention has been presented for purposes of illustration and description. Furthermore, the description is not intended to limit the invention to the form disclosed herein. Consequently, variations and modifications commensurate with the above teachings, and skill and knowledge of the relevant art, are within the scope of the present invention. The embodiments described hereinabove are further intended to explain best modes known of practicing the invention and to enable others skilled in the art to utilize the invention, and such other embodiments, and with various modifications required by the particular applications or uses of the present invention. It is intended that the appended claims be construed to include alternative embodiments to the extent permitted by the prior art.

#### 40 Claims

1. A method for providing a blood component product, comprising the steps of:

product harvesting a predetermined type of blood component from a source of blood;  
 using a predetermined on-line yield prediction technique to obtain a first predicted yield value for the harvested  
 45 blood component; and  
 packaging the harvested blood component;  
 characterised by the further steps of  
 prior to the harvesting step, establishing a first calibration factor for the predetermined yield prediction technique using a predetermined off-line yield determination technique for at least one control sample of the predetermined type of blood component harvested;  
 50 applying the first calibration factor to the first predicted yield value to obtain a second predicted yield value;  
 deriving a determined yield for the harvested blood component at least in part from the second predicted yield value; and  
 recording the packaged blood component as having the determined yield, whereby the blood component product is completed.

2. A method in accordance with Claim 1 characterized in that the step of establishing the first calibration factor comprises:

sample harvesting the blood components from a plurality of first control blood sample sources to obtain a plurality of first control blood component samples;

employing the predetermined yield prediction technique to obtain the first predicted yield value for each of the first control blood component samples;

5     subjecting each of the first control blood component samples to the predetermined off-line yield determination technique to obtain an off-line measured yield value for each of the first control blood component samples;

calculating an initializing first calibration factor for each of the first control blood component samples by dividing the off-line measured yield value by the first predicted yield value for each of the first control blood component samples;

10     and

calculating a first mean of the initializing first calibration factors to establish the first calibration factor.

3. A method in accordance with Claim 1 or 2 wherein the predetermined yield prediction technique comprises a predictive algorithm which predicts a blood component yield performance associated with the product harvesting step with a predetermined precision.

4. A method in accordance with any one of Claims 1 through 3 characterized in that the method further comprises:

20     monitoring the harvested blood components during at least a portion of the product harvesting step;

utilizing a predetermined on-line yield monitoring technique to obtain a first monitored yield value for the harvested blood components based at least in part upon the monitoring step;

establishing a second calibration factor for the predetermined yield monitoring technique using the predetermined off-line yield determination technique for at least one control sample of the predetermined type of blood component harvested prior to the harvesting step; and

25     applying the second calibration factor to the first monitored yield value to obtain a second monitored yield value, wherein the deriving step further comprises utilizing the second monitored yield value.

5. A method in accordance with Claim 4 characterized in that the establishing the second calibration factor step comprises:

30     employing the predetermined yield monitoring technique to obtain the first monitored yield value for each of the first control blood component samples;

subjecting each of the first control blood component samples to the predetermined off-line yield determination technique to obtain an off-line measured yield value for each of the first control blood component samples;

35     calculating an initializing second calibration factor for each of the first control blood component samples by dividing the off-line measured yield value by the first monitored yield value for each of the first control blood component samples; and

calculating a second mean of the initializing second calibration factors to establish the second calibration factor.

- 40     6. A method in accordance with Claim 5 characterized in that the method further comprises:

sample harvesting the blood components from a predetermined number of second control blood sample sources to obtain the predetermined number of second control blood component samples;

45     employing the predetermined yield prediction technique to obtain the first predicted yield value for each of the second control blood component samples;

employing the predetermined yield monitoring technique to obtain the first monitored yield value for each of the second control blood component samples;

50     subjecting each of the second control blood component samples to the predetermined off-line yield determination technique to obtain an off-line measured yield value for each of the second control blood component samples;

calculating a test first calibration factor for each of the second control blood component samples by dividing the off-line measured yield value by the first predicted yield value;

55     calculating a test second calibration factor for each of the second control blood component samples by dividing the off-line measured yield value by the first monitored yield value;

calculating a third mean of the test first calibration factors for each of the second control blood component samples;

calculating a fourth mean of the test second calibration factors for each of the second control blood component samples;



calculating a fifth mean of the initializing first calibration factors and the test first calibration factors for each of the first and second control blood component samples, respectively;

calculating a sixth mean of the initializing second calibration factor and the test second calibration factor for each of the first and second control blood component samples, respectively; and

5 utilizing at least one of the third, fourth, fifth, and sixth mean to determine if recalculation of the first and second calibration factors is required.

7. A method in accordance with any one of Claims 4 through 6 characterized in that the deriving step comprises performing a standard regression of the second predicted yield value and the second monitored yield value to obtain  
10 a regression equation to estimate the determined yield.

8. A method in accordance with any one of Claims 4 through 7 characterized in that the method further comprises comparing at least the second predicted yield value and the second monitored yield value, wherein the deriving step is utilized for the determined yield in the event that the comparing step is less than a predetermined value, and  
15 wherein the predetermined off-line yield technique is utilized for the determined yield in the event that the comparing step is at least as great as the predetermined value.

9. A method in accordance with Claim 8 characterized in that the comparing step comprises performing a standard statistical comparison test.

10. A method in accordance with any one of Claims 1 through 9 characterized in that the packaging step comprises receiving the harvested blood components from the harvesting step through a substantially closed system.

11. A method in accordance with any one of Claims 1 through 10 characterized in that the harvesting step comprises centrifugation.

12. A method in accordance with any one of Claims 1 through 11 characterized in that the predetermined type of blood component comprises platelets,

30 13. An apparatus (8,10) for providing a blood component product, comprising:

means (18) for harvesting a predetermined type of blood component from a source of blood;

first means, for providing a first set of predetermined information relating to the source of blood;

second means, for providing a second set of predetermined information relating to the means for harvesting;

35 third means using at least one on-line yield determination technique, for generating a predicted yield value based upon the first and second sets of predetermined information; and

means (38) for packaging the harvested blood component; characterised by further comprising

fourth means, for providing a first calibration factor based upon the third means using a predetermined off-line yield determination technique for at least one control sample of the blood component product, the predetermined off-line yield determination technique allowing for determining an off-line measured yield value of the  
40 harvested blood component;

fifth means, for determining the yield, the fifth means utilizing at least in part an application of the first calibration factor to the predicted yield value; and

45 sixth means for associating the determined yield with the packaged harvested blood components to provide the blood component product.

14. An apparatus (8,10) in accordance with claim 13, characterized in that the apparatus further comprises:

seventh means using a second on-line yield determination technique, for providing a monitored yield value of the harvested blood components, the seventh means comprising means for monitoring the harvested blood components; and

50 eighth means for providing a second calibration factor based upon the seventh means using the predetermined off-line yield determination technique for at least one control sample of the blood component product, wherein the fifth means further utilizes an application of the second calibration factor to the monitored yield value to  
55 determine the yield.

**Patentansprüche**

1. Verfahren zur Erzeugung eines Blutkomponentenprodukts, welches die folgenden Schritte umfaßt:

- Produkternten einer vorbestimmten Blutkomponentenart aus einer Blutquelle;
  - Verwendung einer vorbestimmten on-line Ausbeutevoraussagetechnik, um einen ersten vorausgesagten Ausbeutewert für die geerntete Blutkomponente zu erhalten, und
  - Verpacken der geernteten Blutkomponente;
  - 5 gekennzeichnet durch die weiteren Schritte
  - der Bestimmung eines ersten Kalibrierungsfaktors für die vorbestimmte Ausbeutevoraussagetechnik vor dem Schritt des Erntens unter Verwendung einer vorbestimmten off-line Ausbeutebestimmungstechnik für mindestens eine Kontrollprobe der vorbestimmten Art der geernteten Blutkomponente;
  - Anwendung des ersten Kalibrierungsfaktors auf den ersten vorausgesagten Ausbeutewert, um einen zweiten
  - 10 vorausgesagten Ausbeutewert zu erhalten;
  - Ableitung einer bestimmten Ausbeute aus der geernteten Blutkomponente zumindest teilweise aus dem zweiten vorausgesagten Ausbeutewert und
  - Registrieren der verpackten Blutkomponente, daß diese die vorbestimmte Ausbeute aufweist, wodurch das Blutkomponentenprodukt fertig ist.
  - 15
2. Verfahren nach Anspruch 1, dadurch gekennzeichnet, daß der Schritt der Bestimmung des ersten Kalibrierungsfaktors folgendes umfaßt:
- Probenernten der Blutkomponenten aus einer Mehrzahl von ersten Kontrollblutprobenquellen, um eine Mehr-
  - 20 zahl erster Kontrollblutkomponentenproben zu erhalten;
  - Verwendung des vorbestimmten Ausbeutevorausageverfahrens, um den ersten vorausgesagten Ausbeutewert für jede der ersten Kontrollblutkomponentenproben zu erhalten;
  - Unterziehen jeder der ersten Kontrollblutkomponentenproben der vorbestimmten off-line Ausbeutebestimmungstechnik, um einen off-line gemessenen Ausbeutewert für jede der ersten Kontrollblutkomponentenproben zu erhalten;
  - 25 - Berechnung eines initialisierenden ersten Kalibrierungsfaktors für jede der ersten Kontrollblutkomponentenproben durch Dividieren des off-line gemessenen Ausbeutewerts durch den ersten vorausgesagten Ausbeutewert für jede der ersten Kontrollblutkomponentenproben und
  - Berechnung eines ersten Mittelwerts des initialisierenden ersten Kalibrierungsfaktors, um den ersten Kalibrierungsfaktor zu bestimmen.
  - 30
3. Verfahren nach Anspruch 1 oder 2, wobei die vorbestimmte Ausbeutevoraussagetechnik einen Voraussagealgorithmus umfaßt, welcher eine mit dem Produkternteschritt verbundene Blutkomponentenausbeuteleistung mit einer vorbestimmten Genauigkeit vorausgesagt.
- 35
4. Verfahren nach einem der Ansprüche 1 bis 3, dadurch gekennzeichnet, daß das Verfahren weiterhin umfaßt:
- Überwachen der geernteten Blutkomponenten während mindestens eines Teils des Produkternteschritts;
  - Verwendung einer vorbestimmten on-line Ausbeuteüberwachungstechnik, um einen ersten überwachten Aus-
  - 40 beutewert für die geernteten Blutkomponenten mindestens teilweise auf der Grundlage des Überwachungsschritts zu erhalten;
  - Bestimmung eines zweiten Kalibrierungsfaktors für die vorbestimmte Ausbeuteüberwachungstechnik unter Verwendung der vorbestimmten off-line Ausbeutebestimmungstechnik für mindestens eine Kontrollprobe der vor dem Ernteschritt geernteten Blutkomponente der vorbestimmten Art und
  - 45 - Anwendung des zweiten Kalibrierungsfaktors auf den ersten überwachten Ausbeutewert, um einen zweiten überwachten Ausbeutewert zu erhalten, wobei der Ableitungsschritt weiterhin die Verwendung des zweiten überwachten Ausbeutewerts umfaßt.
5. Verfahren nach Anspruch 4, dadurch gekennzeichnet, daß die Bestimmung des zweiten Kalibrierungsfaktorschritts folgendes umfaßt:
- 50
- Verwendung der vorbestimmten Ausbeuteüberwachungstechnik, um den ersten überwachten Ausbeutewert für jede der ersten Kontrollblutkomponentenproben zu erhalten;
  - Unterziehen jeder der ersten Kontrollblutkomponentenproben der vorbestimmten off-line Ausbeutebestimmungstechnik, um einen off-line gemessenen Ausbeutewert für jede der ersten Kontrollblutkomponentenproben zu erhalten;
  - 55 - Berechnung eines initialisierenden zweiten Kalibrierungsfaktors für jede der ersten Kontrollblutkomponentenproben durch Dividieren des off-line gemessenen Ausbeutewerts durch den ersten überwachten Ausbeutewert für jede der ersten Kontrollblutkomponentenproben und

- Berechnung eines zweiten Mittelwerts des initialisierenden zweiten Kalibrierungsfaktors, um den zweiten Kalibrierungsfaktor zu bestimmen.

6. Verfahren nach Anspruch 5, dadurch gekennzeichnet, daß das Verfahren weiterhin folgendes umfaßt:

- 5
  - Probenernten der Blutkomponenten aus einer vorbestimmten Anzahl von zweiten Kontrollblutprobenquellen, um die vorbestimmte Anzahl der zweiten Kontrollblutkomponentenproben zu erhalten;
  - Verwendung der vorbestimmten Ausbeutevoraussagestechnik, um den ersten vorausgesagten Ausbeutewert für jede der zweiten Kontrollblutkomponentenproben zu erhalten;
- 10
  - Verwendung der vorbestimmten Ausbeuteüberwachungstechnik, um den ersten überwachten Ausbeutewert für jede der zweiten Kontrollblutkomponentenproben zu erhalten;
  - Unterziehen jeder der zweiten Kontrollblutkomponentenproben der vorbestimmten off-line Ausbeutebestimmungstechnik, um einen off-line gemessenen Ausbeutewert für jede der zweiten Kontrollblutkomponentenproben zu erhalten;
- 15
  - Berechnung eines ersten Testkalibrierungsfaktors für jede der zweiten Kontrollblutkomponentenproben durch Dividieren des off-line gemessenen Ausbeutewerts durch den ersten vorausgesagten Ausbeutewert;
  - Berechnung eines zweiten Testkalibrierungsfaktors für jede der zweiten Kontrollblutkomponentenproben durch Dividieren des off-line gemessenen Ausbeutewerts durch den ersten überwachten Ausbeutewert;
- 20
  - Berechnung eines dritten Mittelwerts der ersten Testkalibrierungsfaktoren für jede der zweiten Kontrollblutkomponentenproben;
  - Berechnung eines vierten Mittelwerts der zweiten Testkalibrierungsfaktoren für jede der zweiten Kontrollblutkomponentenproben;
  - Berechnung eines fünften Mittelwerts des initialisierenden ersten Kalibrierungsfaktors und der ersten Testkalibrierungsfaktoren für jeweils jede der ersten und zweiten Kontrollblutkomponentenproben;
- 25
  - Berechnung eines sechsten Mittelwerts des initialisierenden zweiten Kalibrierungsfaktors und des zweiten Testkalibrierungsfaktors für jeweils jede der ersten und zweiten Kontrollblutkomponentenproben und
  - Verwendung mindestens eines der dritten, vierten, fünften und sechsten Mittelwerte zur Bestimmung, ob eine Neuberechnung der ersten und zweiten Kalibrierungsfaktoren erforderlich ist.
- 30
 

7. Verfahren nach einem der Ansprüche 4 bis 6, dadurch gekennzeichnet, daß der Ableitungsschritt die Durchführung einer standardisierten Regression des zweiten vorausgesagten Ausbeutewerts und des zweiten überwachten Ausbeutewerts umfaßt, um eine Regressionsgleichung zur Schätzung der bestimmten Ausbeute zu erhalten.
- 35
 

8. Verfahren nach einem der Ansprüche 4 bis 7, dadurch gekennzeichnet, daß das Verfahren weiterhin einen Vergleich mindestens des zweiten vorausgesagten Ausbeutewerts und des zweiten überwachten Ausbeutewerts umfaßt, wobei der Ableitungsschritt für die bestimmte Ausbeute verwendet wird, falls der Vergleichsschritt niedriger als einer vorbestimmter Wert ist, und wobei die vorbestimmte off-line Ausbeutetechnik für die bestimmte Ausbeute verwendet wird, falls der Vergleichsschritt mindestens so groß wie der vorbestimmte Wert ist.
- 40
 

9. Verfahren nach Anspruch 8, dadurch gekennzeichnet, daß der Vergleichsschritt die Durchführung eines statistischen Standardvergleichstests umfaßt.
- 45
 

10. Verfahren nach einem der Ansprüche 1 bis 9, dadurch gekennzeichnet, daß der Verpackungsschritt den Empfang der geernteten Blutkomponenten vom Ernteschritt durch ein im wesentlichen geschlossenes System umfaßt.
- 50
 

11. Verfahren nach einem der Ansprüche 1 bis 10, dadurch gekennzeichnet, daß der Ernteschritt eine Zentrifugierung umfaßt.
- 55
 

12. Verfahren nach einem der Ansprüche 1 bis 11, dadurch gekennzeichnet, daß die vorbestimmte Blutkomponentenart Blutplättchen umfaßt.
- 13. Vorrichtung (8, 10) zur Erzeugung eines Blutkomponentenprodukts, welche folgendes umfaßt:
  - Mittel (18) zur Ernte einer vorbestimmten Art von Blutkomponente aus einer Blutquelle;
  - erstes Mittel zur Erzeugung eines ersten Satzes von vorbestimmten Informationen bezüglich der Blutquelle;
  - zweites Mittel zur Erzeugung eines zweiten Satzes von vorbestimmten Informationen bezüglich des Mittels zum Ernten;
  - drittes Mittel unter Verwendung von mindestens einer on-line Ausbeutebestimmungstechnik zur Erzeugung eines vorausgesagten Ausbeutewerts auf der Grundlage der ersten und zweiten Sätze der vorbestimmten

Informationen und

- Mittel (38) zur Verpackung der geernteten Blutkomponente, dadurch gekennzeichnet, daß es weiterhin umfaßt;
- viertes Mittel zur Erzeugung eines ersten Kalibrierungsfaktors auf der Grundlage des dritten Mittels unter Verwendung einer vorbestimmten off-line Ausbeutebestimmungstechnik für mindestens eine Kontrollprobe des Blutkomponentenprodukts, wobei die vorbestimmte off-line Ausbeutebestimmungstechnik die Bestimmung eines off-line gemessenen Ausbeutewerts der geernteten Blutkomponente erlaubt;
- fünftes Mittel zur Bestimmung der Ausbeute, wobei das fünfte Mittel mindestens zum Teil eine Anwendung des ersten Kalibrierungsfaktors auf den vorausgesagten Ausbeutewert verwendet, und
- sechstes Mittel zur Zuordnung der bestimmten Ausbeute zu den verpackten geernteten Blutkomponenten, um das Blutkomponentenprodukt zur Hand zu geben.

14. Vorrichtung (8, 10) nach Anspruch 13, dadurch gekennzeichnet, daß die Vorrichtung weiterhin folgendes umfaßt:

- siebtes Mittel unter Verwendung einer zweiten on-line Ausbeutebestimmungstechnik zur Erzeugung eines überwachten Ausbeutewerts der geernteten Blutkomponenten, wobei das siebte Mittel ein Mittel zur Überwachung der geernteten Blutkomponenten umfaßt, und
- achtes Mittel zur Erzeugung eines zweiten Kalibrierungsfaktors auf der Grundlage des siebten Mittels unter Verwendung der vorbestimmten off-line Ausbeutebestimmungstechnik für mindestens eine Kontrollprobe des Blutkomponentenprodukts, wobei das fünfte Mittel weiterhin eine Anwendung des zweiten Kalibrierungsfaktors auf den überwachten Ausbeutewert verwendet, um die Ausbeute zu bestimmen.

#### Revendications

1. Procédé pour fournir un produit à base de composant sanguin, comprenant les étapes consistant à :

récolter un produit de composant sanguin d'un type prédéterminé à partir d'une source de sang ;  
 utiliser une technique de prédiction directe d'un rendement prédéterminé pour obtenir une première valeur de rendement prédite pour le composant sanguin récolté ; et  
 emballer le composant sanguin récolté ; caractérisé par les étapes supplémentaires consistant à :  
 préalablement à l'étape de récolte, établir un premier facteur d'étalonnage pour la technique de prédiction du rendement prédéterminé, en utilisant une technique de détermination indirecte d'un rendement prédéterminé pour au moins un échantillon témoin du type prédéterminé de composant sanguin récolté ;  
 appliquer le premier facteur d'étalonnage à la première valeur de rendement prédite, de façon à obtenir une seconde valeur de rendement prédite ;  
 déduire un rendement prédéterminé pour le composant sanguin récolté, au moins partiellement à partir de la seconde valeur de rendement prédite ; et  
 enregistrer le composant sanguin emballé comme ayant le rendement prédéterminé, moyennant quoi on obtient le produit à base de composant sanguin.

2. Procédé selon la revendication 1, caractérisé en ce que l'étape consistant à établir le premier facteur d'étalonnage comprend les opérations consistant à :

récolter un échantillon de composants sanguins à partir d'une pluralité de premières sources d'échantillons sanguins témoins pour obtenir une pluralité de premiers échantillons de composants sanguins témoins ;  
 employer la technique de prédiction d'un rendement prédéterminé pour obtenir la première valeur de rendement prédite pour chacun des premiers échantillons de composants sanguins témoins ;  
 soumettre chacun des premiers échantillons de composants sanguins témoins à une technique de détermination indirecte de rendement prédéterminé pour obtenir une valeur de rendement mesurée indirectement pour chacun des premiers échantillons de composants sanguins témoins ;  
 calculer un premier facteur initial d'étalonnage pour chacun des premiers échantillons de composants sanguins témoins en divisant la valeur de rendement mesurée indirectement par la première valeur de rendement prédite pour chacun des premiers échantillons de composants sanguins témoins ; et  
 calculer une première moyenne des premiers facteurs initiaux d'étalonnage pour établir le premier facteur d'étalonnage.

3. Procédé selon la revendication 1 ou 2, dans lequel la technique de prédiction de rendement prédéterminé comprend un algorithme de prédiction qui prédit une performance de rendement de composant sanguin associée à l'étape de récolte du produit avec une précision prédéterminée.

4. Procédé selon l'une quelconque des revendications 1 à 3, caractérisé en ce qu'il comprend, en outre, les étapes consistant à :

5           contrôler les composants sanguins récoltés pendant au moins une partie de l'étape de récolte du produit ;  
 utiliser une technique de contrôle indirect de rendement prédéterminé pour obtenir une première valeur de  
 contrôle du rendement pour les composants sanguins récoltés, fondée au moins en partie sur l'étape de contrôle ;  
 établir un second facteur d'étalonnage pour la technique de contrôle de rendement prédéterminé en utilisant  
 la technique de détermination indirecte de rendement prédéterminé pour au moins un échantillon témoin du  
 10          type prédéterminé de composant sanguin récolté, avant l'étape de récolte ; et  
 appliquer le second facteur d'étalonnage à la première valeur de contrôle du rendement pour obtenir une  
 seconde valeur de contrôle du rendement, l'étape de déduction comprenant, en outre, l'utilisation de la  
 seconde valeur de contrôle du rendement.

- 15   5. Procédé selon la revendication 4, caractérisé en ce que l'étape consistant à établir le second facteur d'étalonnage comprend les opérations consistant à :

employer la technique de contrôle de rendement prédéterminé pour obtenir la première valeur de contrôle du  
 rendement pour chacun des premiers échantillons de composants sanguins témoins ;  
 20          soumettre chacun des premiers échantillons de composants sanguins témoins à la technique de détermination  
 indirecte de rendement prédéterminé pour obtenir une valeur de rendement mesurée indirectement pour  
 chacun des premiers échantillons de composants sanguins témoins ;  
 calculer un second facteur d'étalonnage initial pour chacun des premiers échantillons de composants sanguins  
 témoins en divisant la valeur de rendement mesurée indirectement par la première valeur de contrôle du ren-  
 25          dement pour chacun des premiers échantillons de composants sanguins témoins ; et  
 calculer une seconde moyenne des seconds facteurs d'étalonnage initiaux pour établir le second facteur d'éta-  
 lonnage.

6. Procédé selon la revendication 5, caractérisé en ce qu'il comprend, en outre, les étapes consistant à :

30          récolter un échantillon des composants sanguins à partir d'un nombre prédéterminé de secondes sources  
 d'échantillons sanguins témoins pour obtenir le nombre prédéterminé de seconds échantillons de composants  
 sanguins témoins ;  
 employer la technique de prédiction de rendement prédéterminé pour obtenir la première valeur de rendement  
 35          prédite pour chacun des seconds échantillons de composants sanguins témoins ;  
 employer la technique de contrôle de rendement prédéterminé pour obtenir la première valeur de contrôle du  
 rendement pour chacun des seconds échantillons de composants sanguins témoins ;  
 soumettre chacun des seconds échantillons de composants sanguins témoins à la technique de détermination  
 indirecte de rendement prédéterminé pour obtenir une valeur de rendement mesurée indirectement pour cha-  
 40          cun des seconds échantillons de composants sanguins témoins ;  
 calculer un premier facteur d'étalonnage test pour chacun des seconds échantillons de composants sanguins  
 témoins en divisant la valeur de rendement mesurée indirectement par la première valeur de rendement pré-  
 dite ;  
 calculer un second facteur d'étalonnage test pour chacun des seconds échantillons de composants sanguins  
 45          témoins en divisant la valeur de rendement mesurée indirectement par la première valeur de contrôle du ren-  
 dement ;  
 calculer une troisième moyenne des premiers facteurs d'étalonnage test pour chacun des seconds échan-  
 tillons de composants sanguins témoins ;  
 calculer une quatrième moyenne des seconds facteurs d'étalonnage test pour chacun des seconds échan-  
 50          tillons de composants sanguins témoins ;  
 calculer une cinquième moyenne des premiers facteurs d'étalonnage initiaux et des premiers facteurs d'éta-  
 lonnage test respectivement pour chacun des premiers et des seconds échantillons de composants sanguins  
 témoins ;  
 calculer une sixième moyenne des seconds facteurs d'étalonnage initiaux et des seconds facteurs d'éta-  
 55          lonnage test respectivement pour chacun des premiers et des seconds échantillons de composants sanguins  
 témoins ; et  
 utiliser au moins une des troisième, quatrième, cinquième et sixième moyennes pour déterminer s'il est néces-  
 saire de recalculer les premiers et les seconds facteurs d'étalonnage.

7. Procédé selon l'une quelconque des revendications 4 à 6, caractérisé en ce que l'étape de déduction consiste à effectuer une régression standard de la seconde valeur de rendement prédite et de la seconde valeur de contrôle du rendement pour obtenir une équation de régression pour évaluer le rendement déterminé.
- 5 8. Procédé selon l'une quelconque des revendications 4 à 7, caractérisé en ce qu'il comprend, en outre, la comparaison d'au moins la seconde valeur de rendement prédite à la seconde valeur de contrôle du rendement, l'étape de déduction étant utilisée pour le rendement déterminé dans le cas où l'étape de comparaison donne une valeur inférieure à une valeur prédéterminée, et la technique de prédiction indirecte de rendement prédéterminé étant utilisée pour le rendement déterminé dans le cas où l'étape de comparaison donne une valeur au moins aussi élevée que la valeur prédéterminée.
- 10 9. Procédé selon la revendication 8, caractérisé en ce que l'étape de comparaison comprend la mise en oeuvre d'un test de comparaison statistique standard.
- 15 10. Procédé selon l'une quelconque des revendications 1 à 9, caractérisé en ce que l'étape d'emballage comprend la réception des composants sanguins récoltés pendant l'étape de récolte dans un système essentiellement clos.
11. Procédé selon l'une quelconque des revendications 1 à 10, caractérisé en ce que l'étape de récolte comprend une centrifugation.
- 20 12. Procédé selon l'une quelconque des revendications 1 à 11, caractérisé en ce que le type prédéterminé de composant sanguin comprend les plaquettes.
- 25 13. Appareil (8, 10) pour fournir un produit à base de composants sanguins, comprenant :
- un moyen (18) pour récolter un type prédéterminé de composant sanguin à partir d'une source de sang ;  
 un premier moyen pour fournir un premier ensemble d'informations prédéterminées concernant la source de sang ;  
 un second moyen pour fournir un second ensemble d'informations prédéterminées concernant le moyen de récolte ;  
 un troisième moyen utilisant au moins une technique de détermination directe du rendement pour produire une valeur de rendement prédite sur la base des premier et second ensembles d'informations prédéterminées ; et  
 un moyen (38) pour emballer le composant sanguin récolté,  
 caractérisé en ce qu'il comprend, en outre :
- 30 un quatrième moyen pour fournir un premier facteur d'étalonnage basé sur le troisième moyen, utilisant une technique de détermination indirecte du rendement prédéterminé pour au moins un échantillon témoin du produit à base de composant sanguin, la technique de détermination indirecte du rendement prédéterminé permettant de déterminer une valeur de rendement mesurée indirectement pour le composant sanguin récolté ;  
 un cinquième moyen pour déterminer le rendement, ce cinquième moyen utilisant au moins en partie une application du premier facteur d'étalonnage à la valeur de rendement prédite ; et  
 un sixième moyen pour associer le rendement déterminé aux composants sanguins récoltés emballés pour fournir le produit de composants sanguins.
- 35 14. Appareil (8, 10) selon la revendication 13, caractérisé en ce qu'il comprend, en outre :
- 40 un septième moyen utilisant une seconde technique de détermination directe du rendement pour fournir une valeur de contrôle du rendement des composants sanguins récoltés, ce septième moyen comprenant un moyen pour contrôler les composants sanguins récoltés ; et  
 un huitième moyen pour fournir un second facteur d'étalonnage, basé sur le septième moyen, utilisant la technique de détermination indirecte du rendement prédéterminé, pour au moins un échantillon témoin du produit de composants sanguins, appareil dans lequel le cinquième moyen utilise, en outre, une application du second facteur d'étalonnage à la valeur de contrôle du rendement pour déterminer le rendement.
- 55

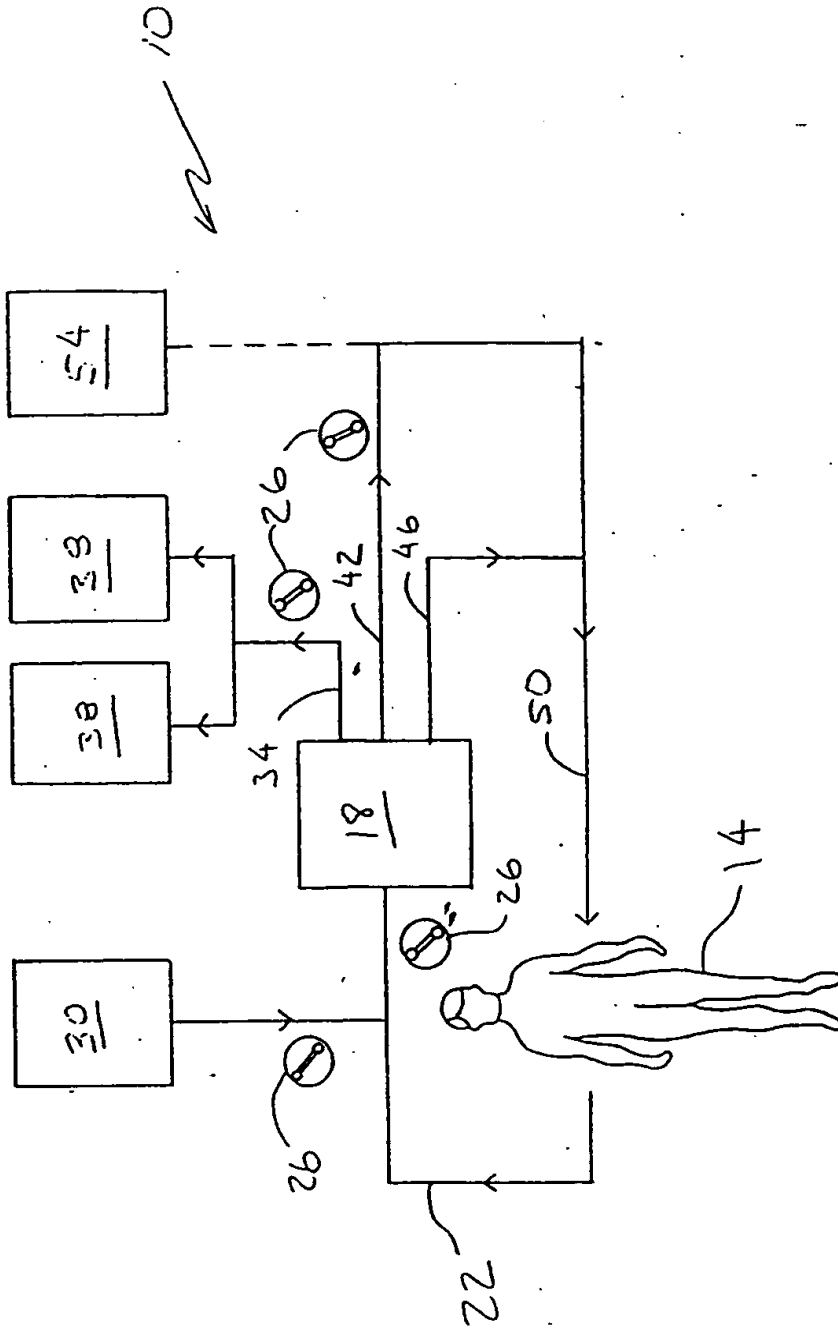


Fig. 1

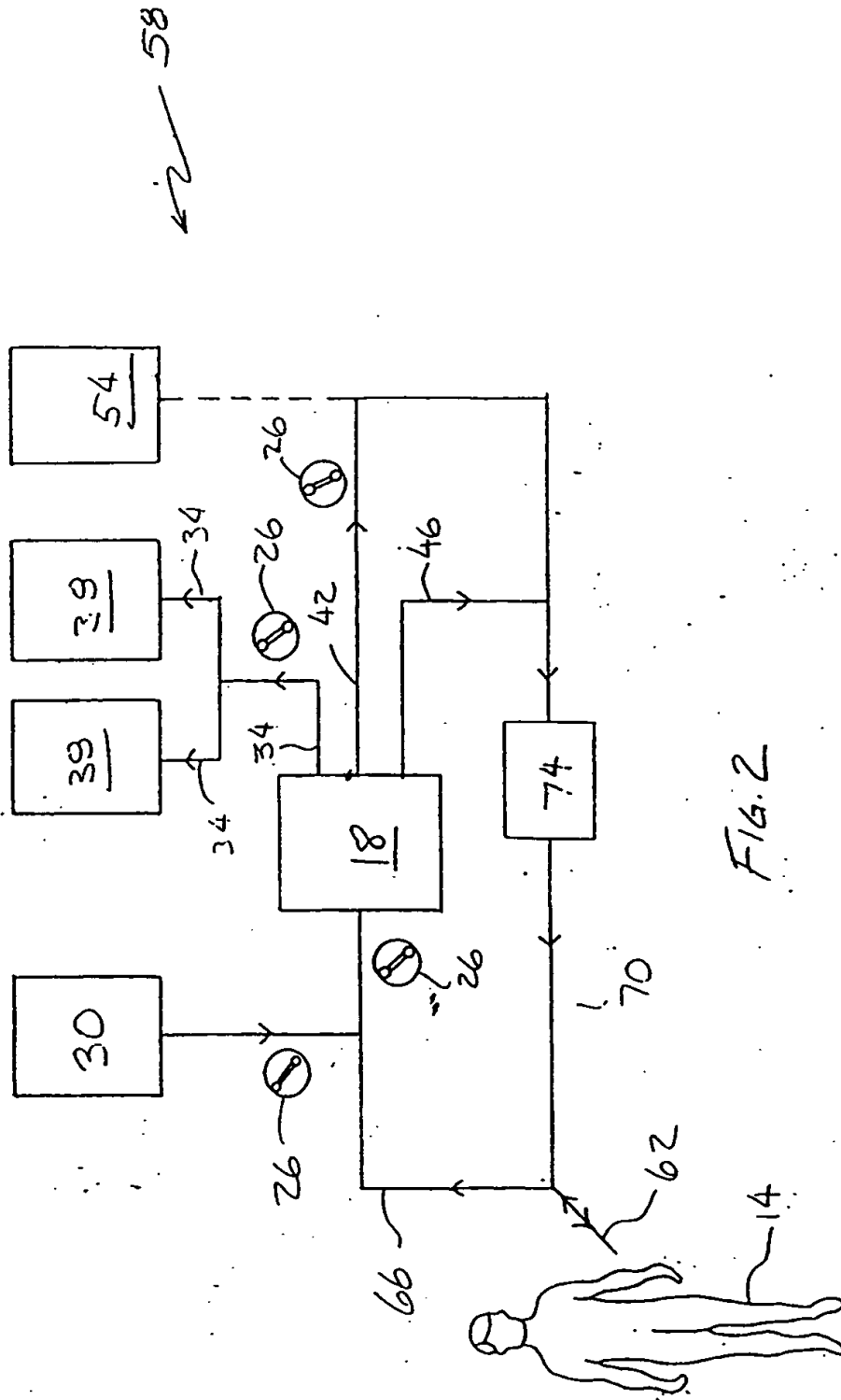
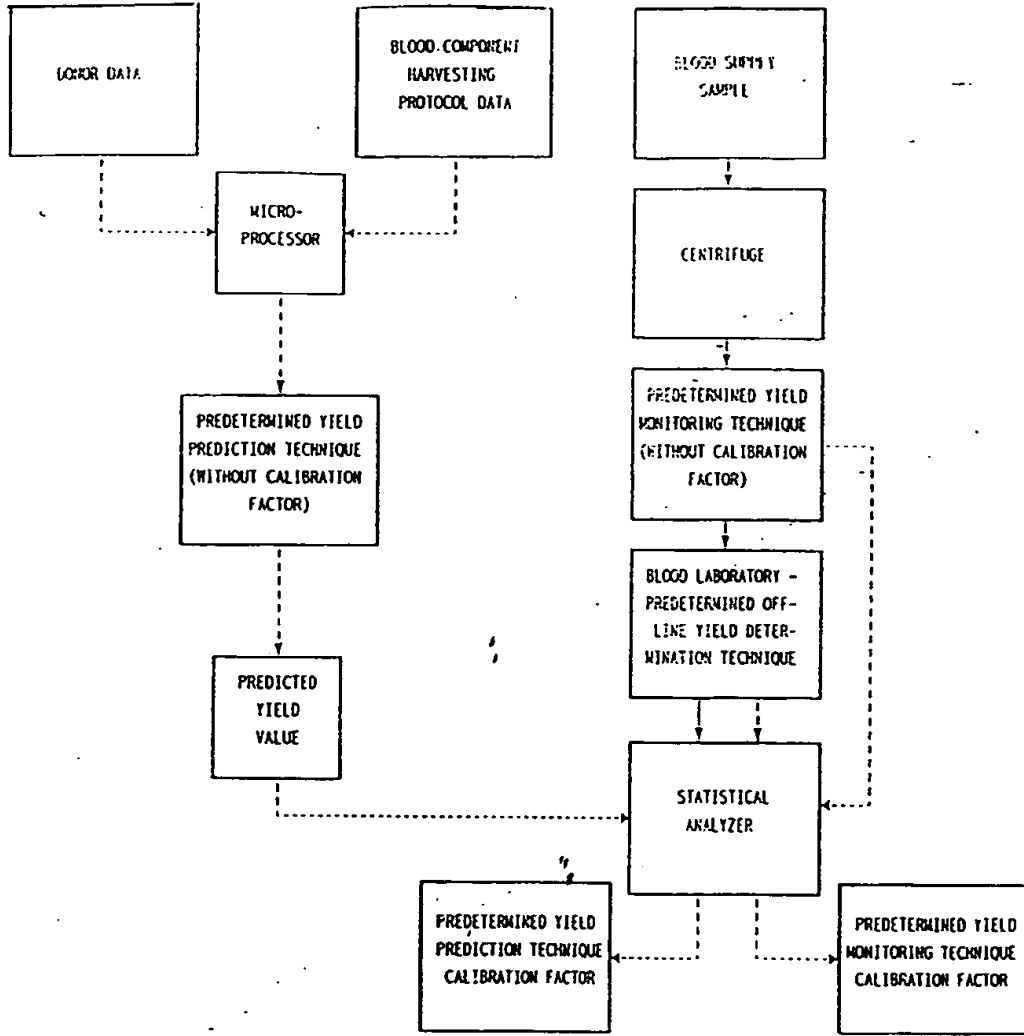


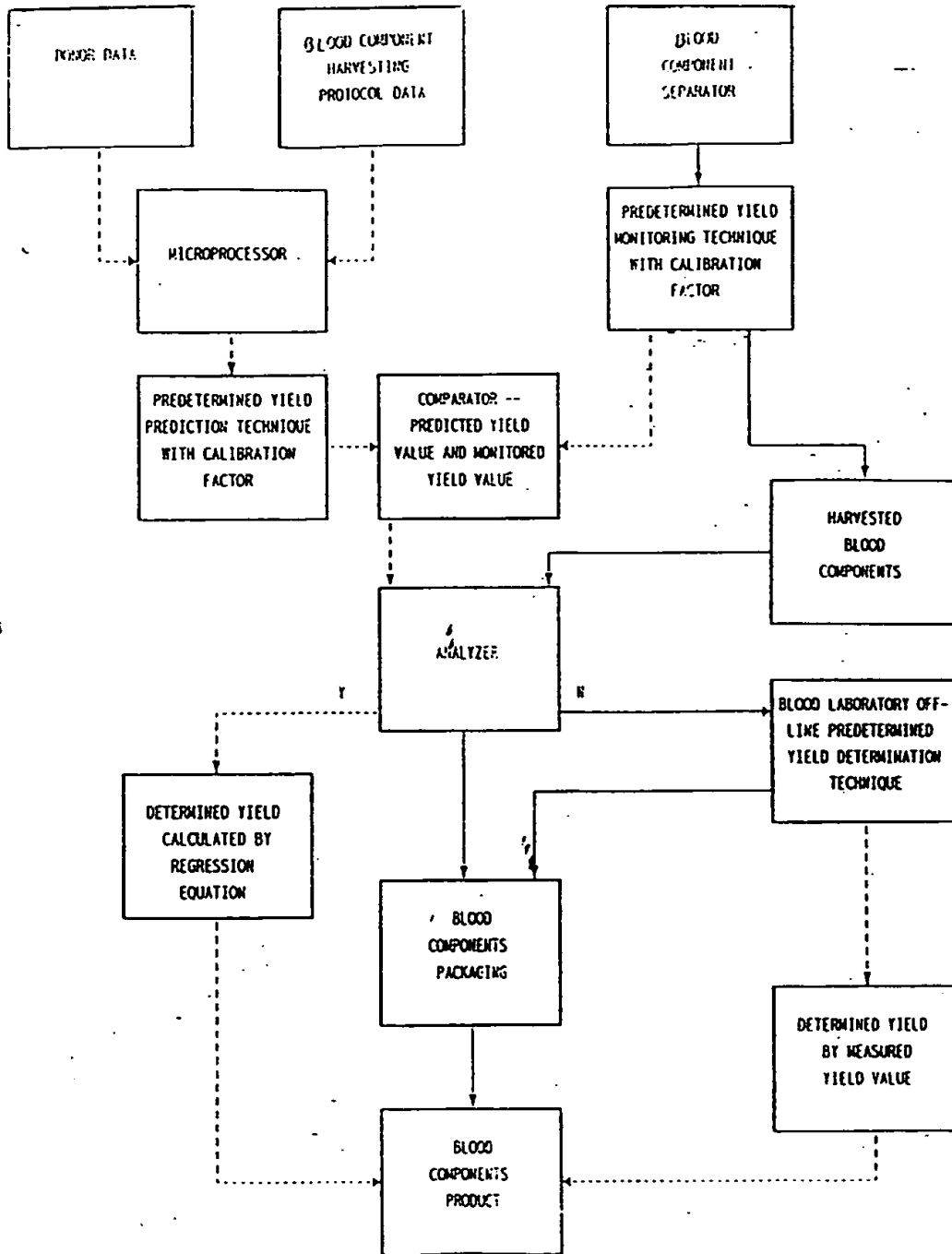
FIG. 2





\* ——— associated with blood/blood components  
 \* - - - - - associated with information/data

FIG. 3



78

- ————— associated with blood/blood components
- - - - - - associated with information/data

FIG 4

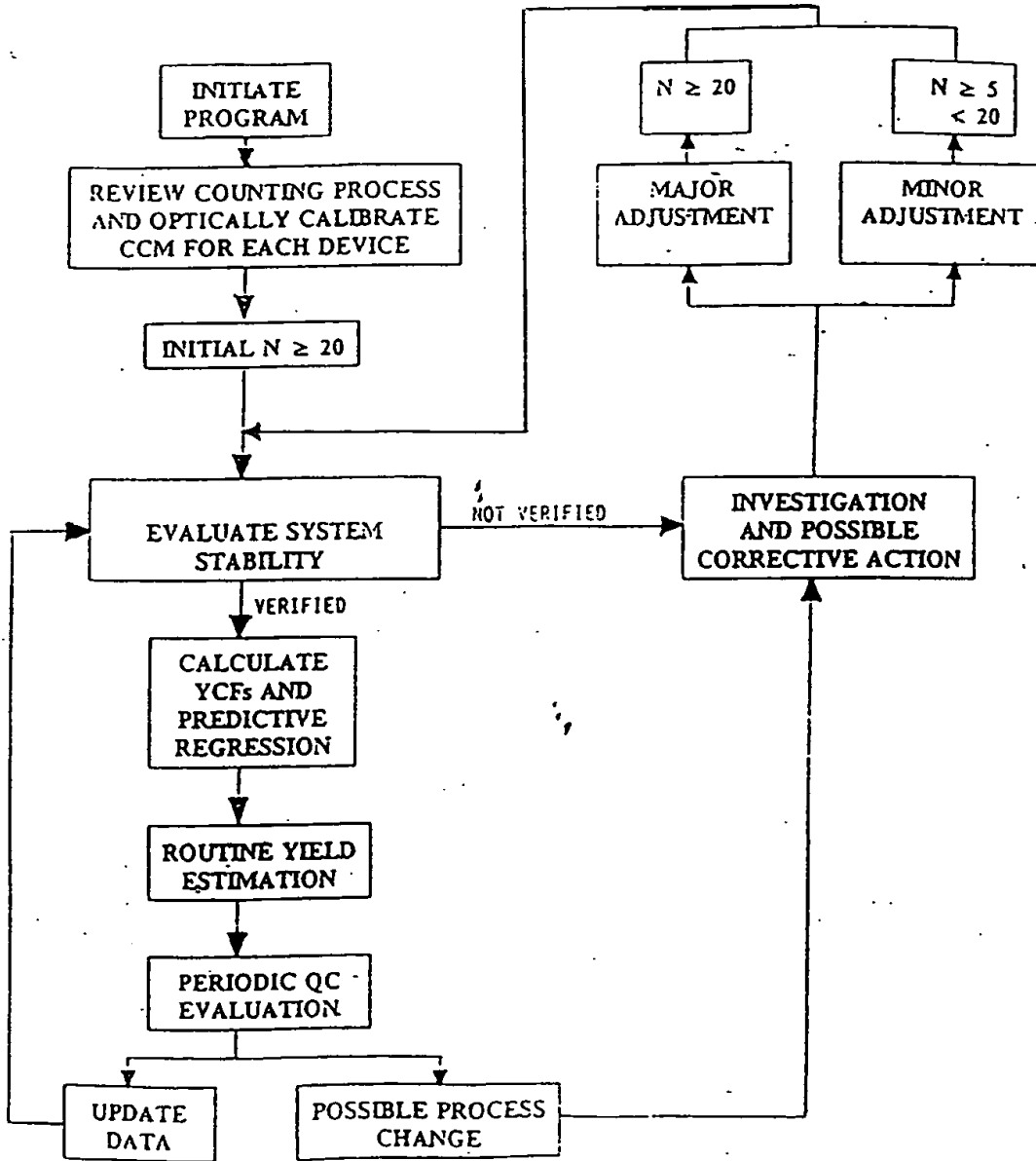


FIG. 5

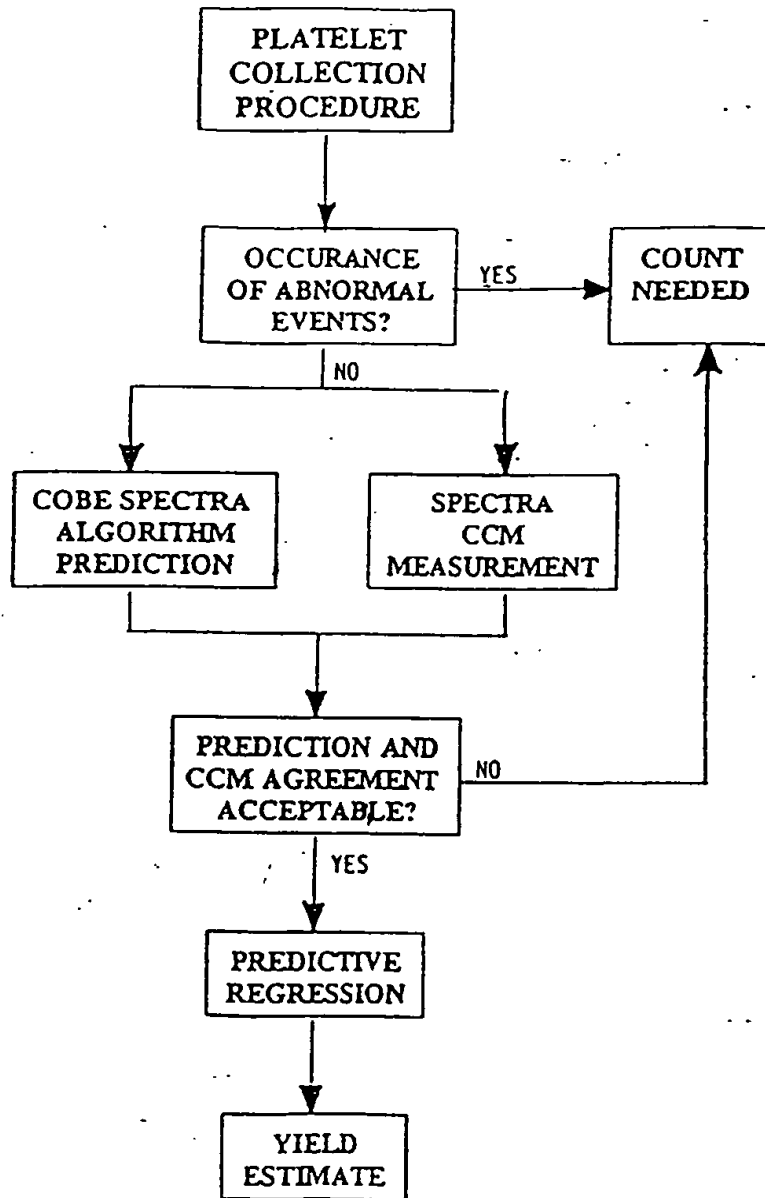


FIG. 6

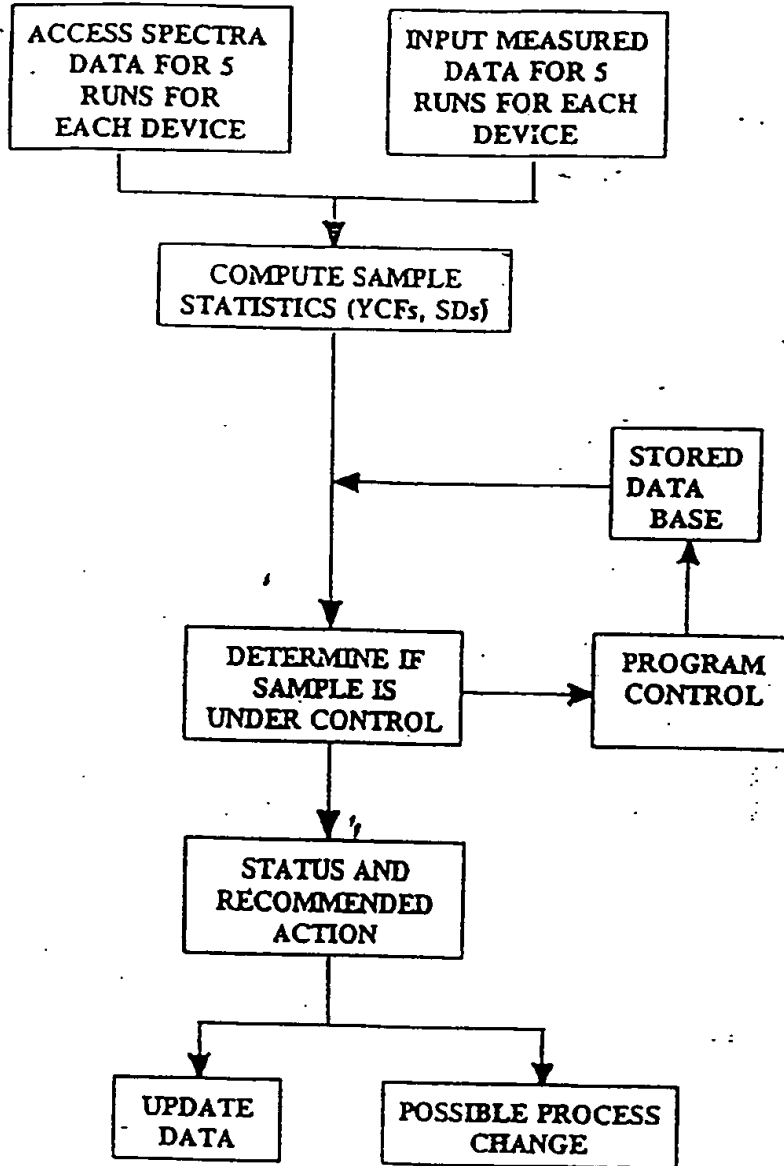


FIG. 7